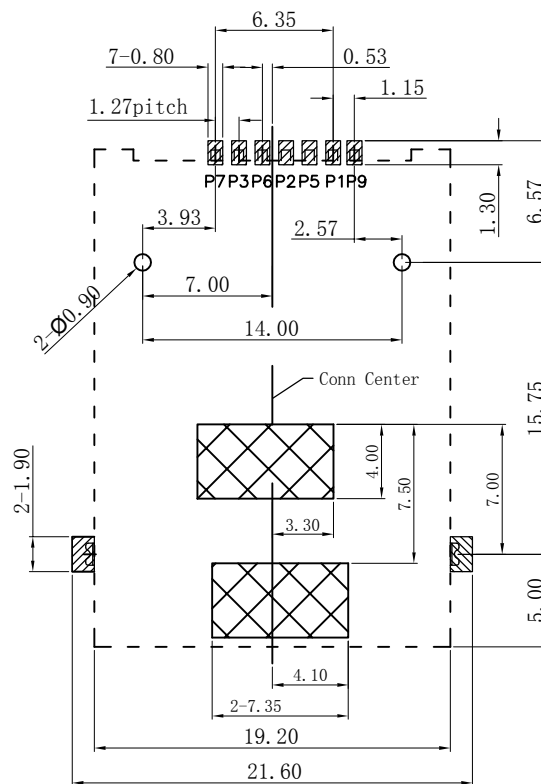
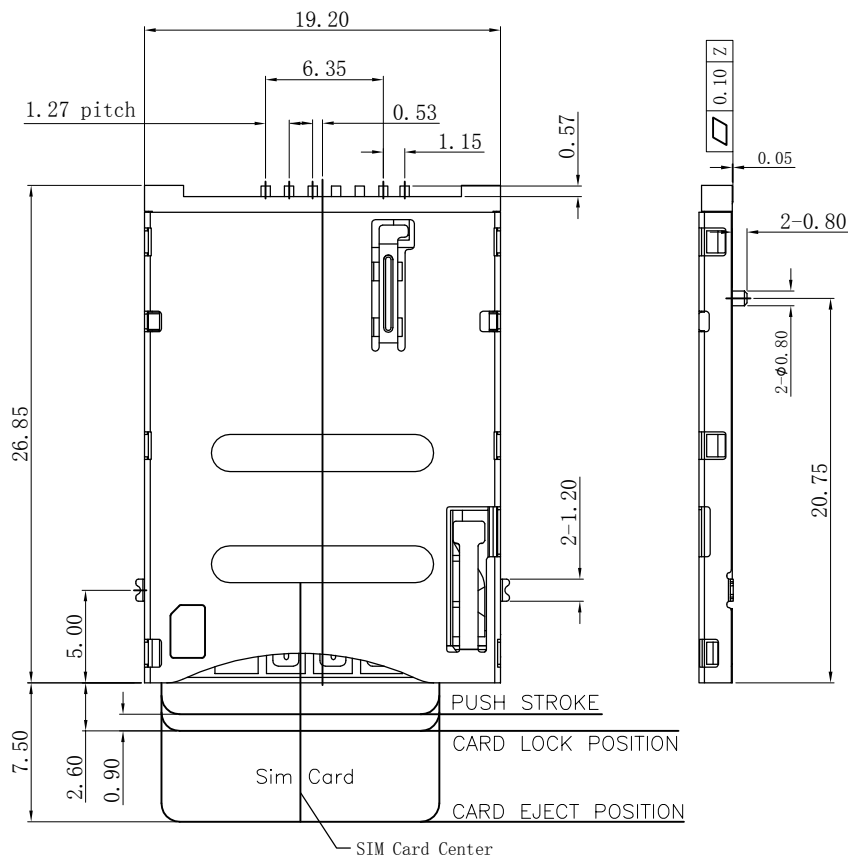


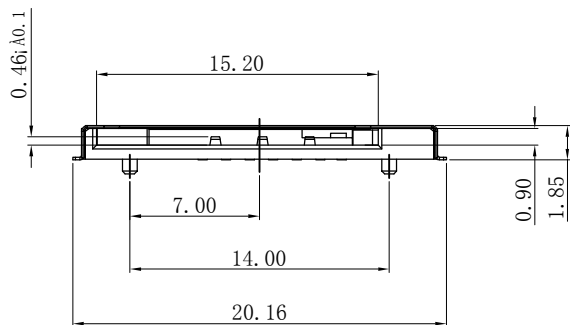
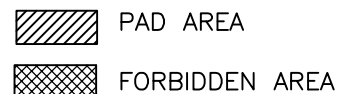
REV.	ECN.NO.	MODIFY.CONTENT	DATE
A0		NEW	2017/10/30
A1		更新料号	2018/12/19



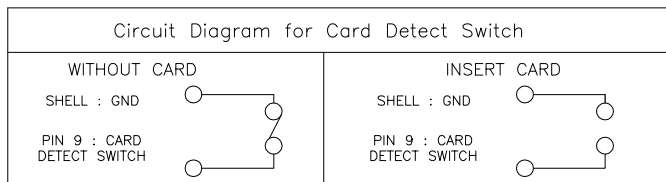
Specification:

*Electrical Characteristics:
 Current Rating:0.5A.
 Withstanding Voltage:AC500V r.m.s.
 Insulation Resistance:1000Megohms Minimum at DC 500V
 Contact Resistance:50m OhmMax(Initial),100m OhmMax(Final).
 *Mechanical Characteristics:
 Mating Cycles:3000 Insertions.
 *Environment:
 Operating Temperature:-25°To+70°
 *Material:
 1.Housing:HI-Temp plastic UL 94V-0 Rated.
 2.Contact:Copper Alloy.
 3.Shell:SUS.
 *Finish :
 1u" Gold plated on conatct area,1u"Min Au plated on solder tails, Base Nickel :30u"Min
 *Packing:
 Number of connectors:750Pcs/REEL

RECOMMENDED PCB LAYOUT
 GENERAL TOLERANCE ± 0.05

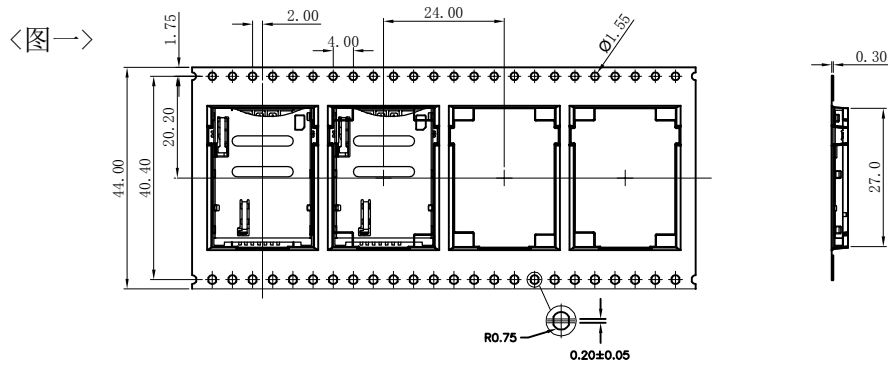


Connector terminal NO.	Pin NO.
Pin 1	VCC:PWR signal and GND
Pin 2	RST:Reset signal
Pin 3	CLK:Clocking signal
Pin 5	GND:PWR signal and GND
Pin 6	VPP:Porgramming Voltage
Pin 7	I/O:Serial date input/output

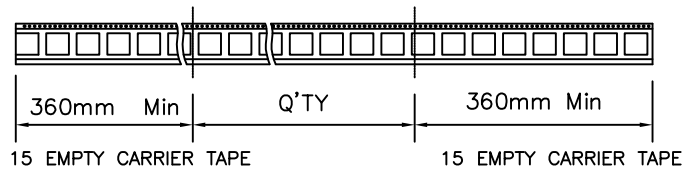


GENERAL TOLERANCE		DWG NO.	APPD:	Michael	Scale	1:1
X. ± 0.45	x. $\pm 5^\circ$	Title	CHKD:	DR:	UNIT	mm
.X ± 0.35	.x $\pm 2^\circ$				Visual	
.XX ± 0.25	.xx $\pm 1^\circ$	Part NO.	Date	2017/10/30	Edition	A1
.XXX ± 0.15	.xxx $\pm 0.5^\circ$	慈溪市卡连电子有限公司 CIXI CARDCONN ELECTRONIC CO., LTD				
SHEET	1/1					

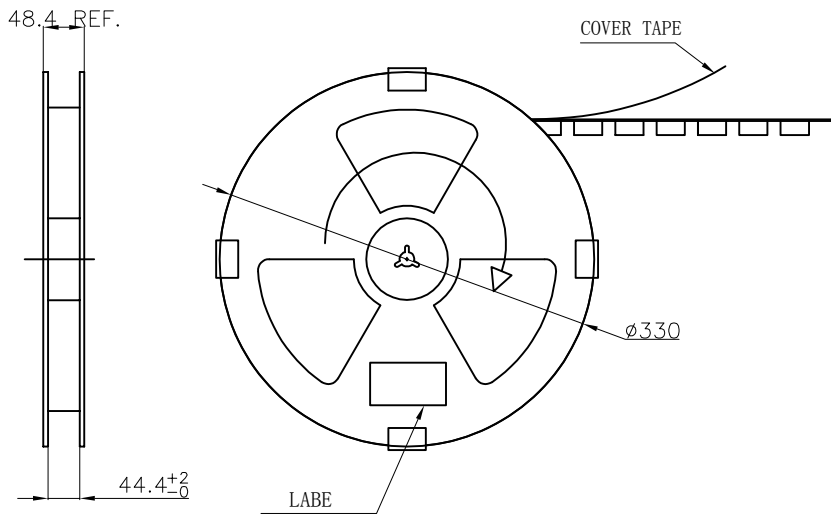
REV.	ECN.NO.	MODIFY.CONTENT	DATE
A0		初版发行	2014.05.08
A1		更新料号	2018.12.19



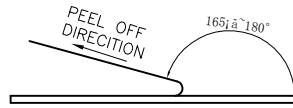
放料方向



<图二>



COVER TAPE PEELING FORCE: 50gf~150gf



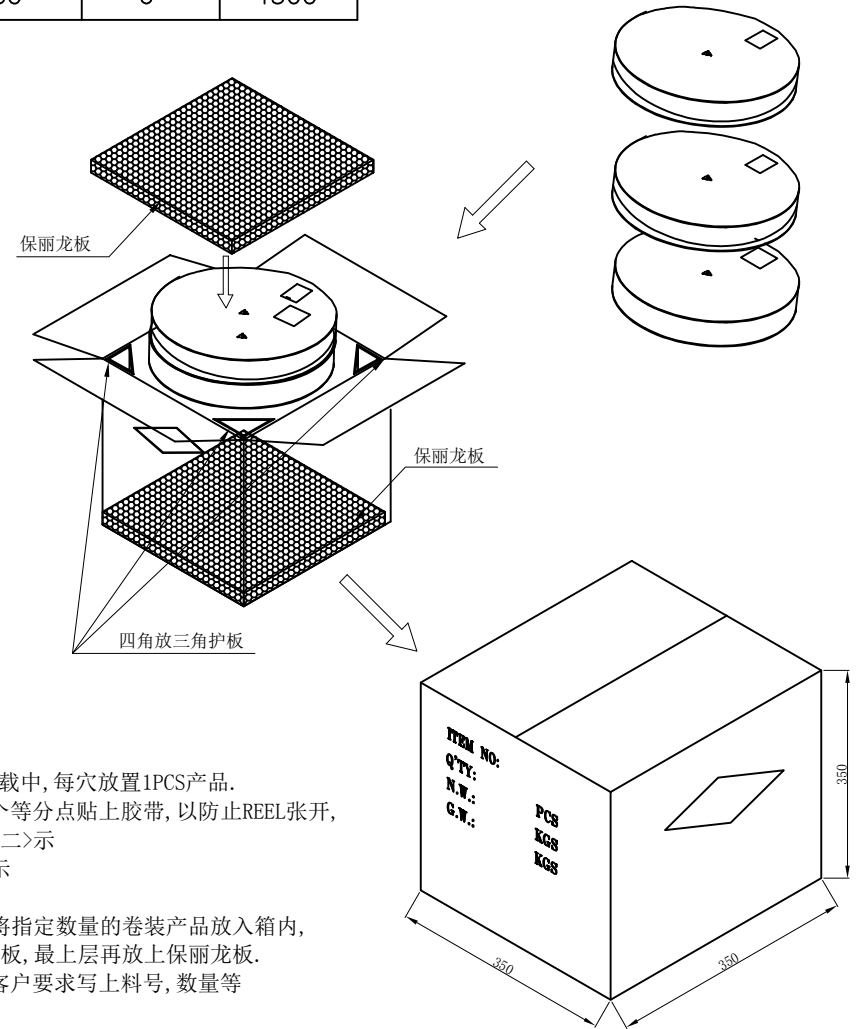
NOTE:

1. 依<图一>示放置产品于下载中, 每穴放置1PCS产品.
2. 包装机包好后, 在REEL的个等分点贴上胶带, 以防止REEL张开, 每REEL贴1PCS标签, 如<图二>示
3. 包装数量见如<TABLE 1>示
4. 包装成箱见如<图三>示
箱底放保丽龙板, 再依次将指定数量的卷装产品放入箱内, 四角分别放入四个三角护板, 最上层再放上保丽龙板.
5. 封箱, 在封好的纸箱上按客户要求写上料号, 数量等

<TABLE 1> PACKAGING QUANTITY

QTY/REEL	REEL/CARTON	QTY/CARTON
750	6	4500

<图三>



GENERAL TOLERANCE		图号	设计	Michael	比例	1:1
X.±0.45	.x'±5'	品名	PUSH SIM CARD 6+1PIN 1.85H -- 包装图	核准	单位	mm
.X±0.35	.x'±2'					
.XX±0.25	.xx'±1'	料号	SCCS207185A2	日期	2014/05/08	
.XXX±0.15	.xxx'±0.5'					
页号	1/1	慈溪市卡连电子有限公司 CIXI CARDCONN ELECTRONIC CO., LTD				