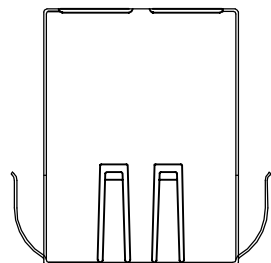
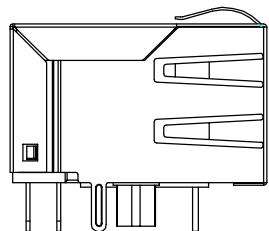


REACH & RoHS  
COMPLIANT

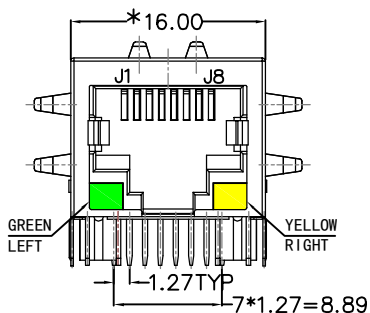
| REV. | ECN / DESCRIPTION | BY    | DATE       |
|------|-------------------|-------|------------|
| A0   | NEW               | TW.Xu | 2016.07.01 |



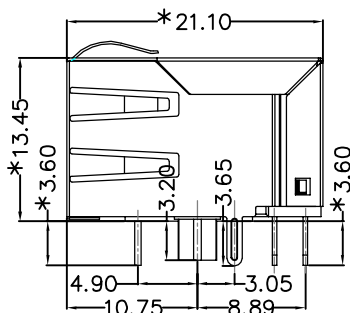
TOP VIEW



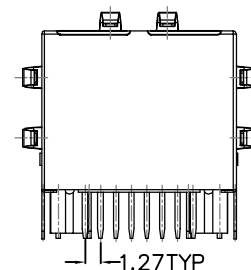
LEFT SIDE VIEW



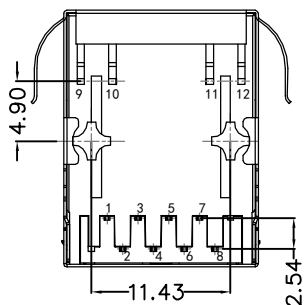
FRONT VIEW



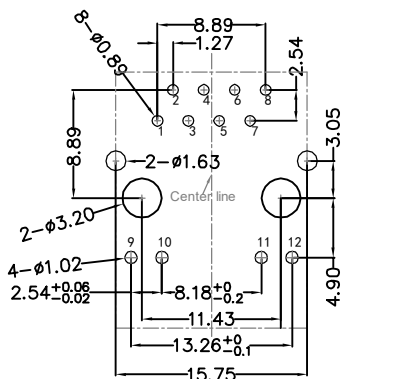
RIGHT SIDE VIEW



BACK VIEW



BOTTOM VIEW



RECOMMENDED PCB LAYOUT  
VIEWED FROM COMPONENT SIDE

**MATERIAL:**

HOUSING : PBT,UL94V-0,BLACK.  
 TERMINALS BRACKET: PBT,UL94V-0,BLACK.  
 SHIELD: C2680,T=0.20MM,NICKEL PLATING ON ALL AREA.  
 TERMINAL: PHOSPHOR BRONZE C5210,T=0.35MM,  
 6U" GOLD PLATING ON CONTACT AREA.

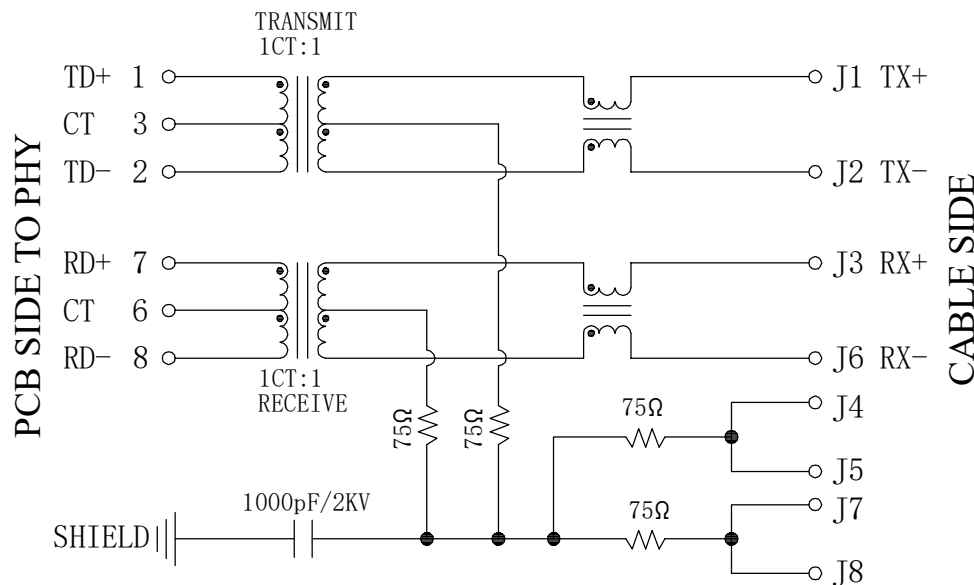
**MECHANICAL:**

DURABILITY : 750 CYCLES MIN.  
 MATING FORCE : 23N MAX.  
 OPERATING TEMPERATURE: -40°C~+85°C.  
 STORAGE TEMPERATURE: -40°C~+85°C.  
 ALL CRITICAL DIMENSIONS WITH "\*"

|                                |   |              |                   |  |            |                         |
|--------------------------------|---|--------------|-------------------|--|------------|-------------------------|
| NINGBO KLS ELECTRONIC CO., LTD | TITLE:<br>TAB-DOWN 1X1 100BASE            | SIZE<br>A4   | UNITS<br>MM[INCH] | GENERAL TOLERANCES<br>UNLESS SPECIFIED |            | APPROVED BY:<br>JP.Gong |
|                                | PART NO.:<br>L-KLS12-TL002BA-1X1-G/Y-1-03 | SACLE<br>1:1 | REV<br>A0         | x±0.35                                 | x°±3.0°    | CHECKED BY:<br>TW.Xu    |
|                                | REMARK:                                   | SHEET<br>1/3 |                   | .xx±0.25                               | .xx°±1.5°  | DESIGND BY:<br>TW.Xu    |
|                                |   |              |                   | .xxx±0.10                              | .xxx°±1.0° |                         |

REACH & RoHS  
COMPLIANT

|      |                   |       |            |
|------|-------------------|-------|------------|
| REV. | ECN / DESCRIPTION | BY    | DATE       |
| A0   | NEW               | TW.Xu | 2016.07.01 |

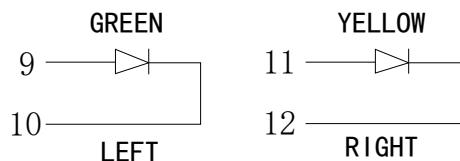


**Electrical:**

1. Turn ratio: 1~2: J1~J2=1CT:1CT(±2%).  
7~8: J3~J6=1CT:1CT(±2%).
2. OCL: 350uH Min. at 100KHz 100mV 8mA DC.
3. Insertion Loss: -1.0 dB Max 1~100MHz.
4. Return loss: -20dB Min 1~10MHz;  
-16dB Min 10~30MHz.  
-12dB Min 30~60MHz.  
-10dB Min 60~80MHz.
5. Cross talk: -40dB Min 1~30MHz;  
-35dB Min 30~60MHz;  
-30dB Min 60~100MHz;
6. CMR: -30dB Min 1~100MHz;
7. Hi-Pot: 1500V AC & 2250V DC  
6S 1mA PRI TO SEC

**LED Specification**

| Standard LED Color | LED Wavelength | Foward(A) | Foward(V)  |
|--------------------|----------------|-----------|------------|
| Green              | 568nm          | 20mA      | 1.85-2.45V |
| Yellow             | 585nm          | 20mA      | 1.7-2.2V   |



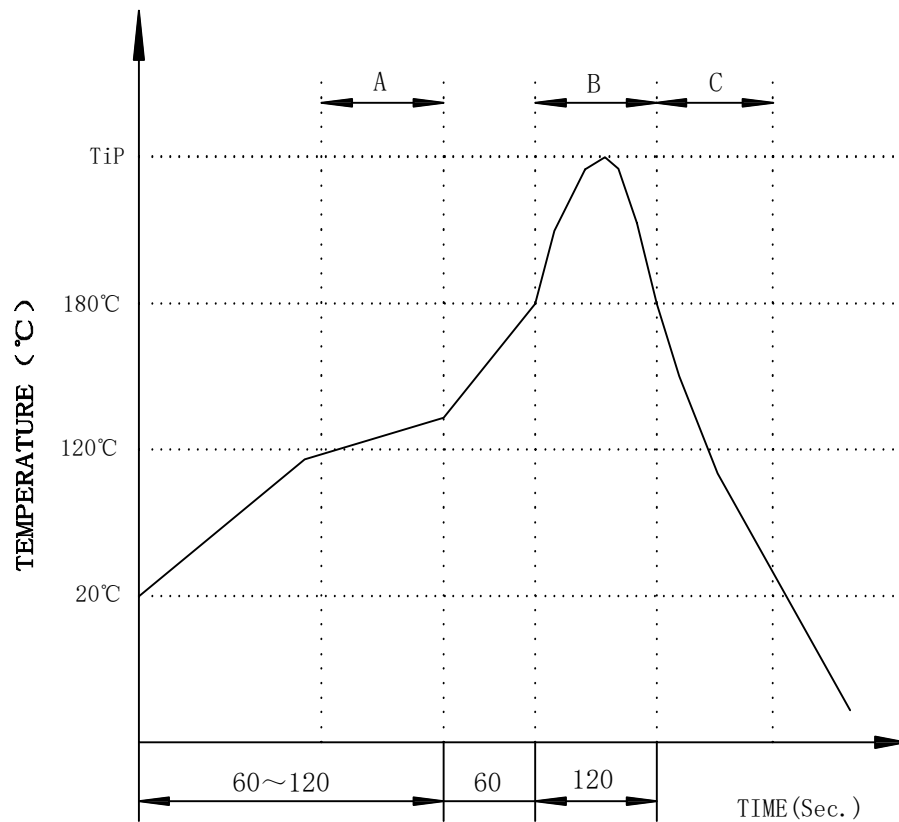
NINGBO KLS ELECTRONIC CO., LTD

|   |              |                   |  |                         |                         |
|---|--------------|-------------------|--|-------------------------|-------------------------|
| TITLE:<br>TAB-DOWN 1X1 100BASE            | SIZE<br>A4   | UNITS<br>MM[INCH] | GENERAL TOLERANCES<br>UNLESS SPECIFIED |                         | APPROVED BY:<br>JP.Gong |
| PART NO.:<br>L-KLS12-TL002BA-1X1-G/Y-1-03 | SACLE<br>1:1 | REV<br>A0         | x±0.35<br>.x±0.30                      | x°±3.0°<br>.x°±2.0°     | CHECKED BY:<br>TW.Xu    |
| REMARK:                                   | SHEET<br>2/3 |                   | .xx±0.25<br>.xxx±0.10                  | .xx°±1.5°<br>.xxx°±1.0° | DESIGND BY:<br>TW.Xu    |

REACH & RoHS  
COMPLIANT

# PROFILE OF WAVE SOLDER

| REV. | ECN / DESCRIPTION | BY    | DATE       |
|------|-------------------|-------|------------|
| A0   | NEW               | TW.Xu | 2016.07.01 |



A.Preheating B.Soldering C.Gradual Cooling  
 Tip temperature:260±5°C.  
 Tip temperature time:5Sec Max.  
 Tip melting point of Sn96.5/Ag3/Cu0.5:217°C.

Remarks: after wave soldering, the plastic positioning columns  
 of the product which under the PCB will be slightly melted,  
 but it won't affect its function.

NINGBO KLS ELECTRONIC CO., LTD

TITLE:  
TAB-DOWN 1X1 100BASE

SIZE  
A4

UNITS  
MM[INCH]

GENERAL TOLERANCES  
UNLESS SPECIFIED

APPROVED BY:  
JP.Gong

PART NO.:  
L-KLS12-TL002BA-1X1-G/Y-1-03

SACLE  
1:1

REV  
A0

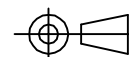
x±0.35  
.x±0.30

x°±3.0°  
.x°±2.0°

CHECKED BY:  
TW.Xu

REMARK:

SHEET  
3/3



.xx±0.25  
.xxx±0.10

.xx°±1.5°  
.xxx°±1.0°

DESIGND BY:  
TW.Xu