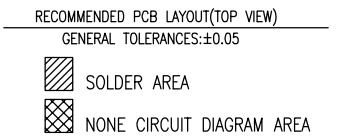
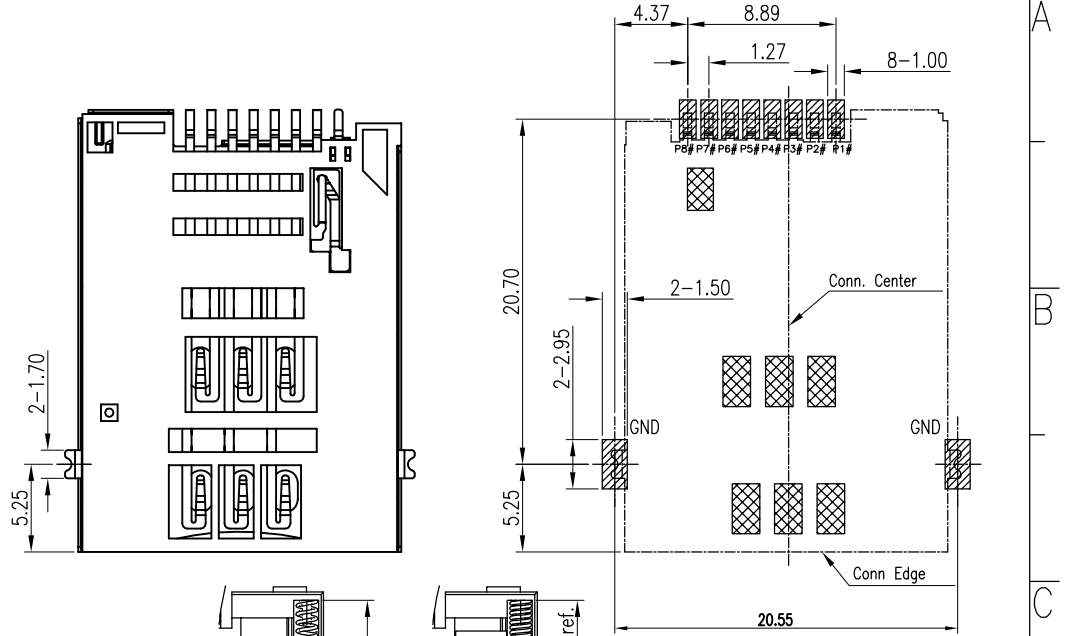
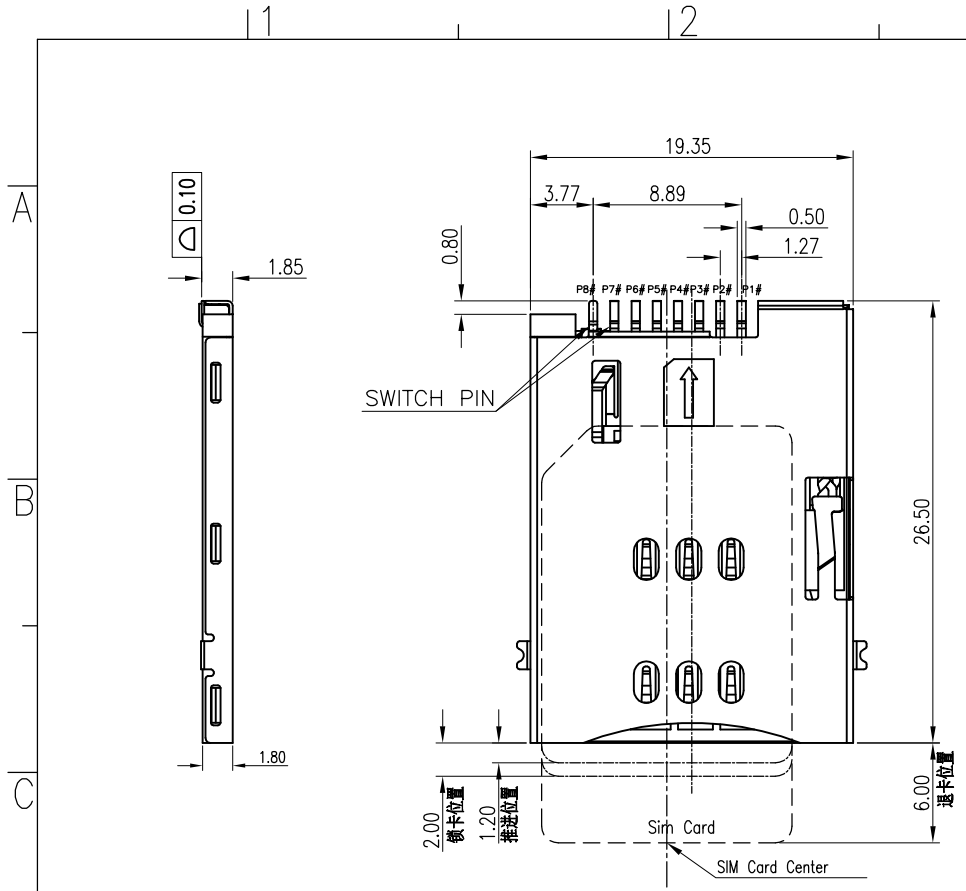
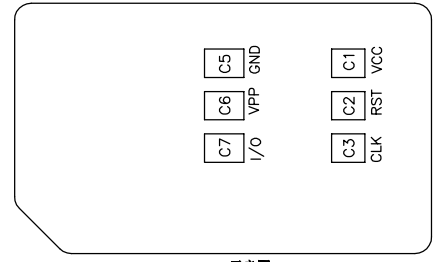
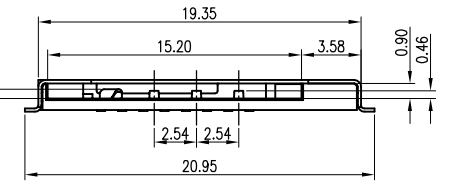


REV.	ECN	DESCRIPTION	DATE	DRAWING	CHECKED	APPROVED
A		NEW RELEASE	2016.03.09			

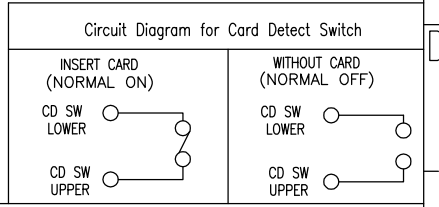


NOTES:
 1)MATERIAL:
 HOUSING: HIHGT TEMPERATURE THERMOPLASTIC
 CONTACT: COPPER ALLOY
 SHELL: STEEL
 2)FINISH:
 CONTACT:GOLD FLASH PLATED ON CONTACT AREA;
 MATTE-TIN PLATED ON SOLDER TAILS; WITH
 ENTIRE CONTACT UNDERPLATED NICKEL.
 SHELL: GOLD FLASH PLATED ON SOLDER TAILS
 3.INFRARED REFLOW SOLDERING: 10sec. Min. at 260⁺¹⁰

PIN NO.	DESCRIPTION
P1#	C1:VCC
P2#	C5:GND
P3#	C2:RST
P4#	C6:VPP
P5#	C3:CLK
P6#	C7:I/O
P7#	POL
P8#	DET



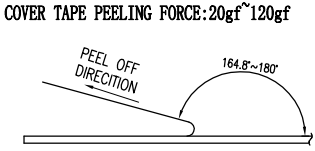
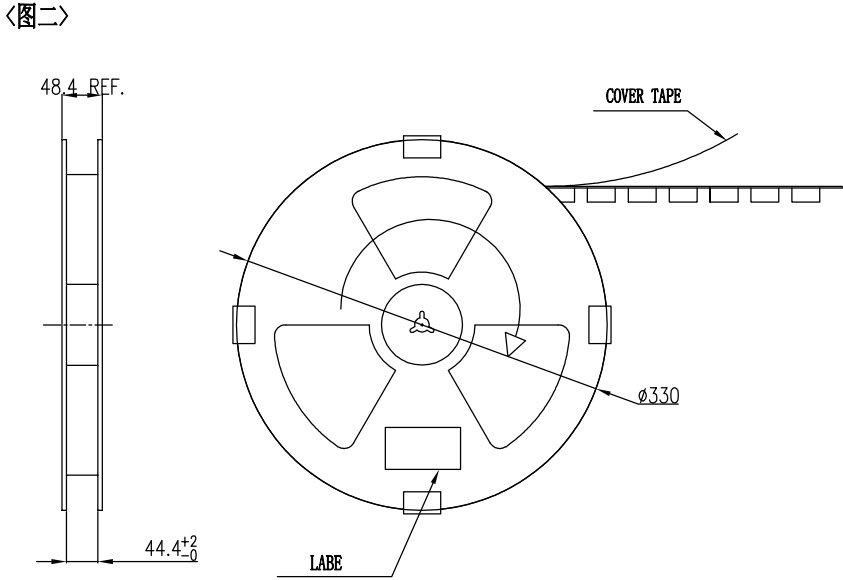
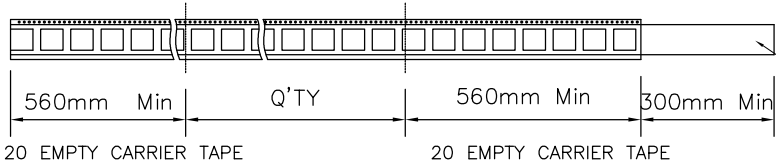
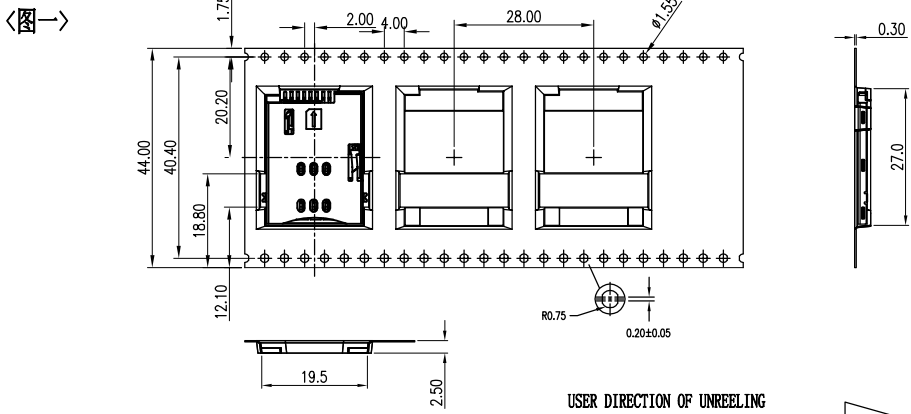
SIM 示意图
芯片面朝下视图



MILLIMETERS	INCH	UNITS	MM
X° ± 2°	X° ± 2°	MAT'L	
.X ± 0.30	.XX ± 0.012	SEE NOTES	
.XX ± 0.20	.XXX ± 0.008	FINISH	
.XXX ± 0.10	.XXXX ± 0.004	SEE NOTES	
THESE DRAWINGS AND SPECIFICATIONS ARE THE PROPERTY OF CIXI CARDCONN ELECTRONIC CO.,LTD. COPIED OR USED IN ANY MANNER WITHOUT THE PRIOR WRITTEN CONSENT OF CIXI CARDCONN ELECTRONIC CO.,LTD			
PART NUMBER: SCC102011322		TITLE: SIM card 6+2 pin push H1.8 (无定位柱)	
APPD: Sean		DWG NO.: SCC-102011322	
CHKD:		SCALE	
DR: Yang		SHEET	
		REV.	
		1:1	
		1	
		A	



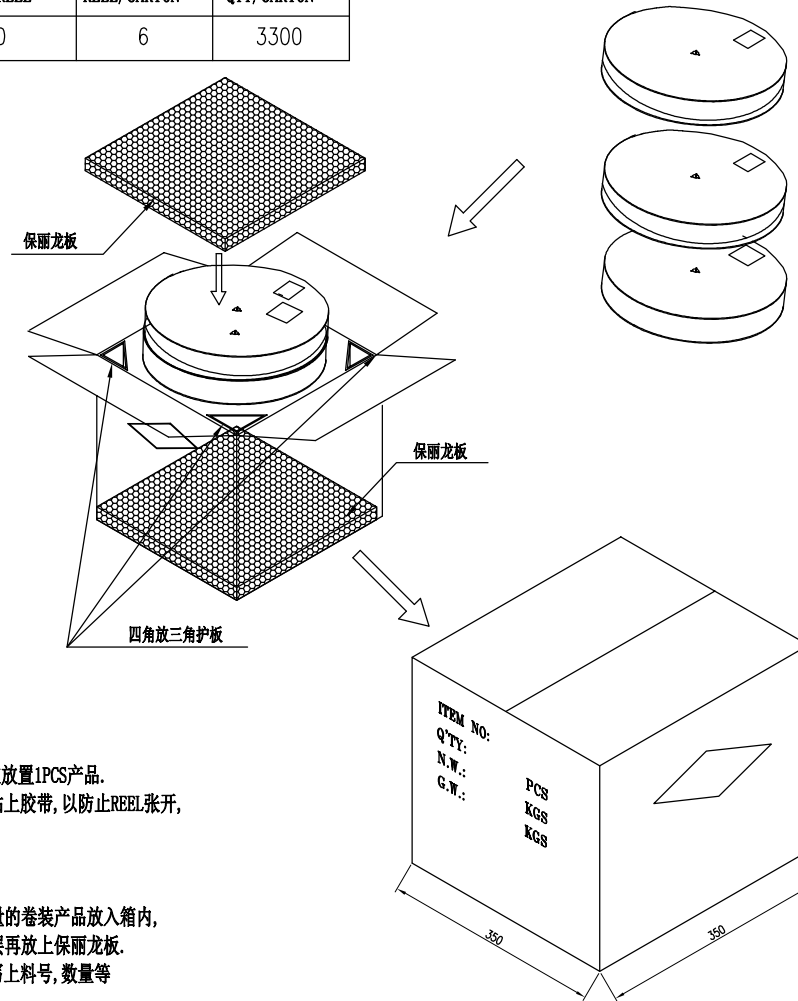
REV.	ECN	DESCRIPTION	DATE	DRAWING	CHECKED	APPROVED
A		NEW RELEASE	2016.03.09			



<TABLE 1> PACKAGING QUANTITY

QTY/REEL	REEL/CARTON	QTY/CARTON
550	6	3300

<图三>



- NOTE:
- 依<图一>示放置产品于下载中, 每穴放置1PCS产品.
 - 包装机包好后, 在REEL的个等分点上贴胶带, 以防止REEL张开, 每REEL贴1PCS标签, 如<图二>示
 - 包装数量见如<TABLE 1>示
 - 包装成箱见如<图三>示
箱底放保丽龙板, 再依次将指定数量的卷装产品放入箱内, 四角分别放入四个三角护板, 最上层再放上保丽龙板.
 - 封箱, 在封好的纸箱上按客户要求写上料号, 数量等

MILLIMETERS	INCH	UNITS	 慈溪市卡连电子有限公司 CIXI CARDCONN ELECTRONIC CO., LTD
X.° ± 2'	X.° ± 2'	MM	
.X ± 0.30	.XX ± 0.012	MAT'L	
.XX ± 0.20	.XXX ± 0.008	SEE NOTES	
.XXX ± 0.10	.XXXX ± 0.004	FINISH	
THESE DRAWINGS AND SPECIFICATIONS ARE THE PROPERTY OF CIXI CARDCONN ELECTRONIC COPIED OR USED IN ANY MANNER WITHOUT THE PRIOR WRITTEN CONSENT OF CIXI CARDCONN ELECTRONIC IS PROHIBITED.			PART NUMBER: SCC102011322
			TITLE: SIM PUSH 6+2PIN H1.8 包装规范
			APPD: Sean DWG NO.: SCC102011322
			CHKD: DR: Yang
			SCALE: 1:1 SHEET: 1 REV: A