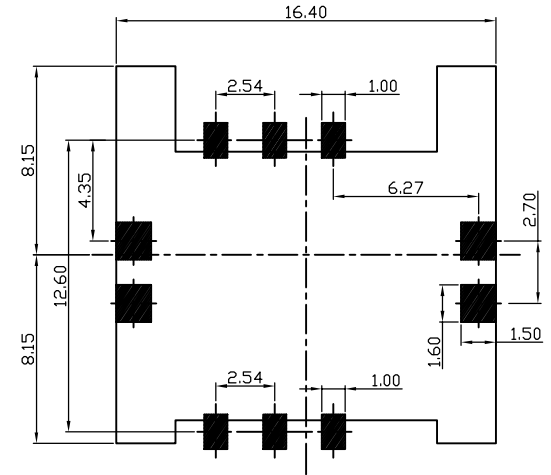
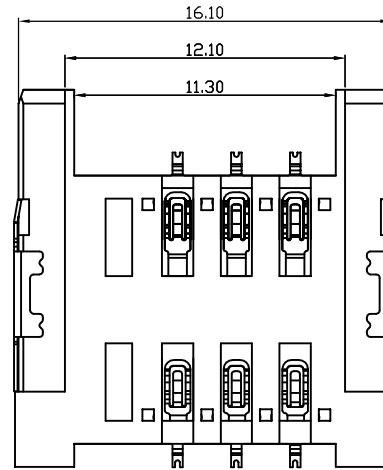
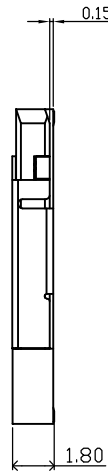
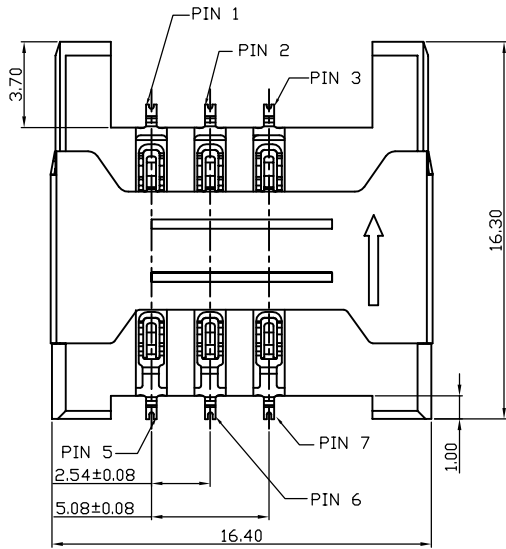
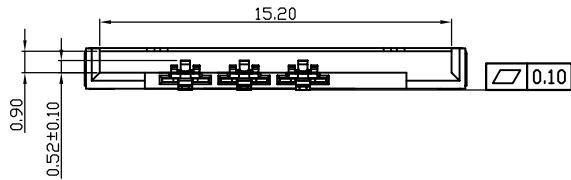


RoHS

REV.	EC#	DESCRIPTION	DATE	DRAWING	CHECKED	APPROVED
A0		NEW RELEASE	07/12'16	YZZ		HAIYONG



Recommended PCB Layout



Remarks:

- Material:
 - Rubber core: LCP UL94V-0
 - Terminal: C2680, half gold tin, contact gold 1U", mist tin 80U"
 - Shell: SUS201, nickel base 50U", welding feet gilded 1U"
- Main features:
 - Rated current: 0.5A
 - Contact impedance: 50mΩ MAX
 - Insulation impedance: 100Ω MIN 100V DC
 - Pressure test: 100V AC
 - Tinness: temperature 235±5°C, time 5±0.5s
 - Positive stress of single PIN: 0.035kgf MIN
 - Service life: 7000 times
 - Temperature resistance: Oven test: temperature 250±5°C, 2 minutes
 - Working environment: Temperature: -30°C ~ +80°C; Humidity: 80% MAX

PIN NO.	PIN NAME
PIN 1	Supply Voltage Vcc
PIN 2	Resrt(RST)
PIN 3	Clock (CLK)
PIN 5	Ground
PIN 6	Programing Voltage Vpp
PIN 7	I/O
PIN 4/8	N/A

MILLIMETERS	INCH	UNITS	慈溪市卡连电子有限公司 CIXI CARDCONN ELECTRONIC CO.,LTD		
X° ± 2'	X° ±	MM	PART NUMBER: SCC402011882-A	TITLE: SIM CARD 6PIN 1.8H (有挡)	
.X ± 0.30	.XX ±	MAT'L			
.XX ± 0.25	.XXX ±	SEE NOTES	APPD: HAIYONG	DWG NO.: SCC-402011882-00	
.XXX ± 0.15	.XXX ±	FINISH	CHKD: --	SCALE: 1:1	SHEET: 1/2
THESE DRAWINGS AND SPECIFICATIONS ARE THE PROPERTY OF CIXI CARDCONN ELECTRONIC CO.,LTD COPIED OR USED IN ANY MANNER WITHOUT THE PRIOR WRITTEN CONSENT OF CIXI CARDCONN ELECTRONIC CO.,LTD			QTY		
			SEE NOTES	DR: YZZ	

RoHS

1 2 3 4 5

A

B

C

D

E

A

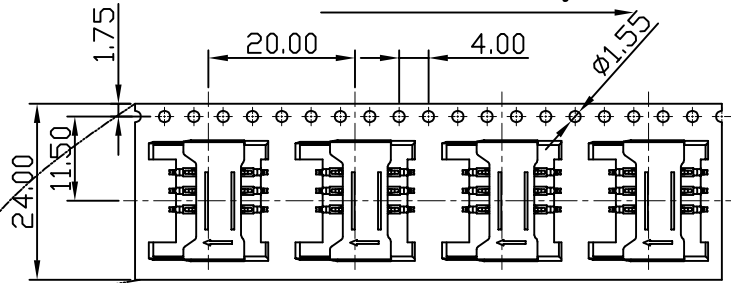
B

C

D

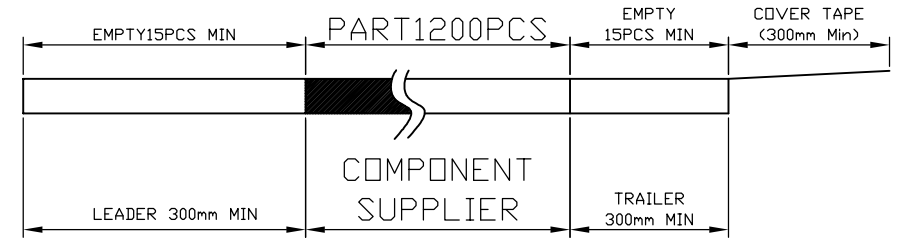
E

User Direction of Unreeling



NOTES

1. NUMBER OF CONNECTORS: 1200PCS/REEL
2. LEAD TAPE LENGTH

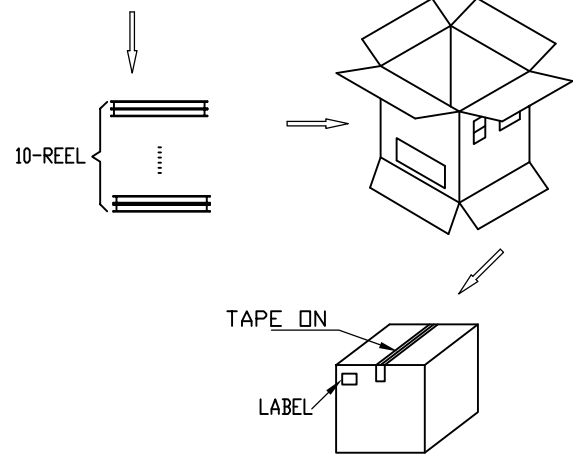
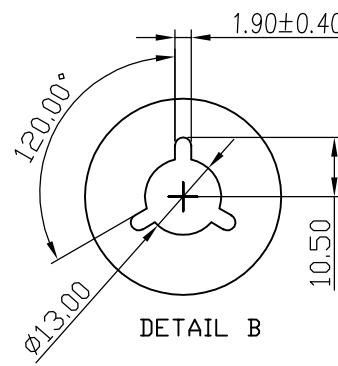
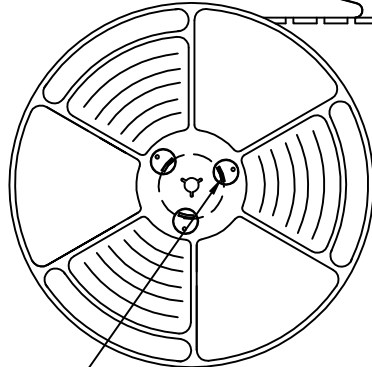


COVER TAPE PEELING ANGLE: 165°~180°
PEELING FORCE: 20~130g

CARRIER TAPE

3. QUANTITY: 12000PCS/CARTON

User Direction of Unreeling



DETAIL-B

DETAIL B

MILLIMETERS	INCH	UNITS	慈溪市卡连电子有限公司 CIXI CARDCONN ELECTRONIC CO., LTD			
		MM				
X° ± 2°	X° ± 2°	MAT'L	PART NUMBER: SCC402011882-A TITLE: SIM CARD 6PIN 1.8H (有挡) APPD: DWG NO.: SCC-402011882-00 CHKD: DR:			
.X ± 0.30	.XX ± 0.012	SEE NOTES				
.XX ± 0.20	.XXX ± 0.008	FINISH				
.XXX ± 0.10	.XXXX ± 0.004	SEE NOTES				
THESE DRAWINGS AND SPECIFICATIONS ARE THE PROPERTY OF CIXI CARDCONN ELECTRONIC CO.,LTD. COPIED OR USED IN ANY MANNER WITHOUT THE PRIOR WRITTEN CONSENT OF CIXI CARDCONN ELECTRONIC CO.,LTD						QTY
			SEE NOTES	1:1	2/2	A0