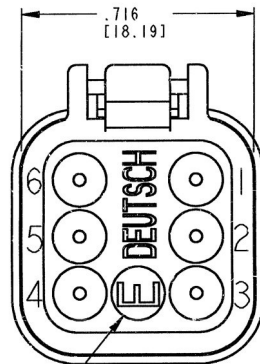
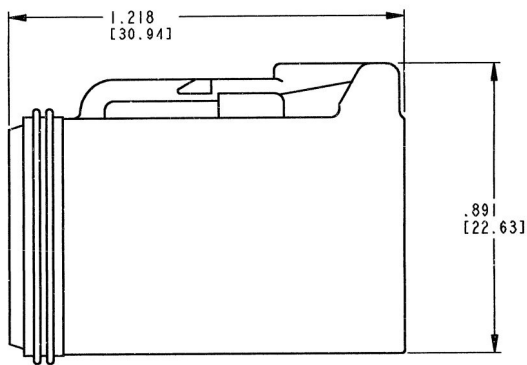
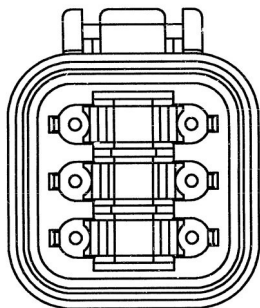


CONTACT SIZE	MIN. INSUL O. D.	MAX. INSUL O. D.	WIRE RANGE [mm ²]
16	.053 [1.35]	.120 [3.05]	14-20 AWG [2.0-0.5]

REV A DT06-6S

REVISIONS			
SYM	DESCRIPTION	DATE	APPROVED
NC	NEW RELEASE PER E.O. P15980	3/31/99	R.D.R
A	REVISED PER E.O. P18362	10-29-03	APPD



—DESIGNATES -E- WIRE SEALS

- THIS PLUG MATES WITH THE DT04-6P-**** RECEPTACLE (**** = ALL MODIFICATIONS).
- FOR MORE INFO. SEE ENVELOPE DRAWING 0425-017-0000 AND 0425-015-0000.
- CONSULT FACTORY FOR SPECIFICATIONS AND APPLICATION.
- ALL DIMENSIONS ARE $\pm .025$ [0.63] UNLESS OTHERWISE SPECIFIED.

NOTES: 1. ALL DIMENSIONS ARE INCHES (MILLIMETERS).

SIGNATURE & DATE	
DR	D. SPENCER 18MAR99
CHK	<i>James C. Spencer 10/29/03</i>
PE	<i>Trish Y. Spencer 10/29/03</i>
APPD	<i>D. Spencer 10-29-03</i>
SCALE	3.5:1 WT

6 WAY PLUG
CE06 MOD.
DT SERIES

ENVELOPE

CP	MATL CODE
B	DT06-6S
DWG SIZE	CODE T1139 SHEET OF