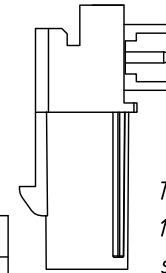
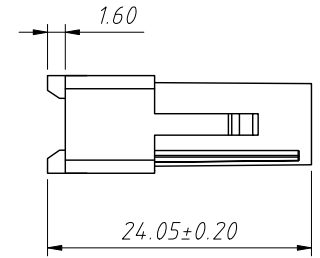
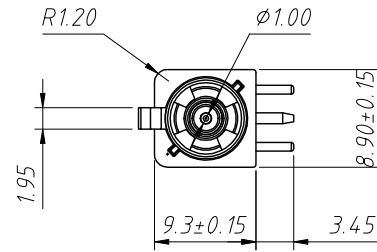
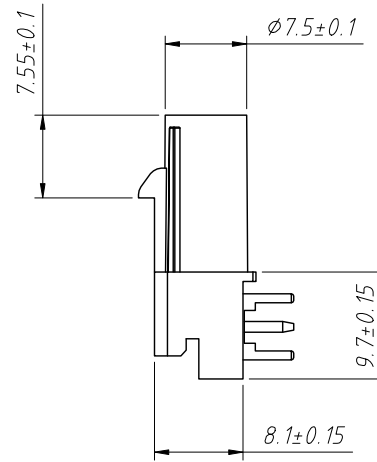
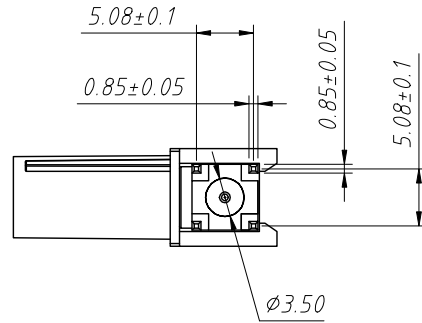


Material:
 Shell: PA66 +GF15,UL94V-0
 Welding plate: brass, nickel plated

Electrical Specifications

Impedance: 50Ω
 Frequency Range: DC-6 GHz
 Voltage Rating: 335V max
 VSWR: 1.3 Max. Dielectric
 Withstanding Voltage: 700 volts rms
 Insulation Resistance: 1000 MΩ Min.
 Contact resistance:
 Center Contact: 6mΩ max
 Outer Contact: 6mΩ max
 Vibration: 100m/S² (80~2000Hz)
 Impact: 500m/S²
 VSWR: ≤1.5 Max@3GHz
 Durability(mating): ≥25(cycles)
 Insertion force: ≤25 N
 Pull out force: ≥5 N
 Pull out force(with lock catch): ≥100 N
 Temperature Range: -40°C to +85°C



Technical requirements:

1. There are no adverse phenomena such as shrinkage, pike, oil stain, glue shortage and miscellaneous color on the surface of the product.
2. The product conforms to ROHS environmental protection standard.

Specifications	Figure	Colour	Specifications	Figure	Colour
KLS1-FAK006D-A		Black	KLS1-FAK006D-H		Pink
KLS1-FAK006D-B		White	KLS1-FAK006D-I		Beige
KLS1-FAK006D-C		Blue	KLS1-FAK006D-K		Yellow
KLS1-FAK006D-D		Purple	KLS1-FAK006D-L		Crimson
KLS1-FAK006D-E		Green	KLS1-FAK006D-M		Wax orange
KLS1-FAK006D-F		Brown	KLS1-FAK006D-N		Pastel turquoies
KLS1-FAK006D-G		Gray	KLS1-FAK006D-Z		Sky blue

Unnoted tolerance						
Size	A	B	C	⌀	E	F
0-6	0.03	0.05	0.08	0.10	0.15	0.20
6-18	0.05	0.08	0.10	0.15	0.20	0.25
18-30	0.08	0.10	0.15	0.20	0.25	0.35
30-50	0.10	0.15	0.20	0.25	0.35	0.50
50-80	0.15	0.20	0.25	0.35	0.50	0.65
80-120	0.20	0.25	0.35	0.50	0.65	0.80
120-180	0.25	0.35	0.50	0.65	0.80	0.95
180-250	0.35	0.50	0.65	0.80	0.95	1.15

PROJECTION		Description:
UNITS	mm	Fakra Male Connectors
SCALE	1:1	
Draw by:	Jenny	KLS P/N: L-KLS1-FAK006D
Check by:		
Date	2022-05-17	NingBo KLS ELECTRONIC CO.,L TD.
SHEET	1 OF 1	