

ESP32-S2-SOLO & ESP32-S2-SOLO-U

Datasheet



Version 1.2
Espressif Systems
Copyright © 2020

About This Document

This document provides the specifications for the ESP32-S2-SOLO and ESP32-S2-SOLO-U module.

Document Updates

Please always refer to the latest version on <https://www.espressif.com/en/support/download/documents>.

Revision History

For revision history of this document, please refer to the [last page](#).

Documentation Change Notification

Espressif provides email notifications to keep customers updated on changes to technical documentation. Please subscribe at www.espressif.com/en/subscribe.

Certification

Download certificates for Espressif products from www.espressif.com/en/certificates.

1 Module Overview

1.1 Features

MCU

- ESP32-S2 embedded, Xtensa® single-core 32-bit LX7 microprocessor, up to 240 MHz
- 128 KB ROM
- 320 KB SRAM
- 16 KB SRAM in RTC

Wi-Fi

- 802.11 b/g/n
- Bit rate: 802.11n up to 150 Mbps
- A-MPDU and A-MSDU aggregation
- 0.4 μ s guard interval support
- Center frequency range of operating channel: 2412 ~ 2484 MHz

Hardware

- Interfaces: GPIO, SPI, LCD, UART, I2C, I2S, Camera interface, IR, pulse counter, LED PWM, TWAI® (compatible with ISO 11898-1), USB OTG 1.1, ADC, DAC, touch sensor, temperature sensor
- 40 MHz crystal oscillator
- 4 MB SPI flash
- Operating voltage/Power supply: 3.0 ~ 3.6 V
- Operating temperature range: -40 ~ 85 °C
- Dimensions: See Table 1

Certification

- Green certification: RoHS/REACH
- RF certification: SRRC

Test

- HTOL/HTSL/uHAST/TCT/ESD

1.2 Description

ESP32-S2-SOLO and ESP32-S2-SOLO-U are two powerful, generic Wi-Fi MCU modules that have a rich set of peripherals. They are an ideal choice for a wide variety of application scenarios relating to Internet of Things (IoT), wearable electronics and smart home.

ESP32-S2-SOLO comes with a PCB antenna, and ESP32-S2-SOLO-U with an IPEX antenna. They both feature a 4 MB external SPI flash. **The information in this datasheet is applicable to both modules.**

The ordering information of the two modules is listed as follows:

Table 1: Ordering Information

Module	Chip embedded	Flash	Module dimensions (mm)
ESP32-S2-SOLO (PCB)	ESP32-S2	4 MB	(18.00±0.15) x (25.50±0.15) x (3.10±0.15)
ESP32-S2-SOLO-U (IPEX)			(18.00±0.15) x (19.20±0.15) x (3.20±0.15)
Notes:			
1. These modules can be shipped with different flash sizes.			
2. Modules that operate at higher temperature (-40 °C ~ +105 °C) are available for order, embedded with 4 MB flash.			
3. For dimensions of the IPEX connector, please see Section 7.3.			

At the core of this module is ESP32-S2 *, an Xtensa® 32-bit LX7 CPU that operates at up to 240 MHz. The chip

has a low-power co-processor that can be used instead of the CPU to save power while performing tasks that do not require much computing power, such as monitoring of peripherals. ESP32-S2 integrates a rich set of peripherals, ranging from SPI, I2S, UART, I2C, LED PWM, TWAI[®], LCD, Camera interface, ADC, DAC, touch sensor, temperature sensor, as well as up to 43 GPIOs. It also includes a full-speed USB On-The-Go (OTG) interface to enable USB communication.

Note:

* For more information on ESP32-S2, please refer to [ESP32-S2 Datasheet](#).

1.3 Applications

- Generic Low-power IoT Sensor Hub
- Generic Low-power IoT Data Loggers
- Cameras for Video Streaming
- Over-the-top (OTT) Devices
- USB Devices
- Speech Recognition
- Image Recognition
- Mesh Network
- Home Automation
- Smart Home Control Panel
- Smart Building
- Industrial Automation
- Smart Agriculture
- Audio Applications
- Health Care Applications
- Wi-Fi-enabled Toys
- Wearable Electronics
- Retail & Catering Applications
- Smart POS Machines

Contents

1	Module Overview	3
1.1	Features	3
1.2	Description	3
1.3	Applications	4
2	Block Diagram	8
3	Pin Definitions	9
3.1	Pin Layout	9
3.2	Pin Description	9
3.3	Strapping Pins	11
4	Electrical Characteristics	13
4.1	Absolute Maximum Ratings	13
4.2	Recommended Operating Conditions	13
4.3	DC Characteristics (3.3 V, 25 °C)	13
4.4	Current Consumption Characteristics	14
4.5	Wi-Fi RF Characteristics	15
4.5.1	Wi-Fi RF Standards	15
4.5.2	Transmitter Characteristics	15
4.5.3	Receiver Characteristics	15
5	Schematics	17
6	Peripheral Schematics	19
7	Physical Dimensions and PCB Land Pattern	20
7.1	Physical Dimensions	20
7.2	Recommended PCB Land Pattern	22
7.3	U.FL Connector Dimensions	24
8	Product Handling	25
8.1	Storage Condition	25
8.2	ESD	25
8.3	Reflow Profile	25
9	MAC Addresses and eFuse	26
10	Learning Resources	27
10.1	Must-Read Documents	27
10.2	Must-Have Resources	27
	Revision History	28

List of Tables

1	Ordering Information	3
2	Pin Definitions	10
3	Strapping Pins	11
4	Absolute Maximum Ratings	13
5	Recommended Operating Conditions	13
6	DC Characteristics (3.3 V, 25 °C)	13
7	Current Consumption Depending on RF Modes	14
8	Current Consumption Depending on Work Modes	14
9	Wi-Fi RF Standards	15
10	Transmitter Characteristics	15
11	Receiver Characteristics	15

List of Figures

1	ESP32-S2-SOLO Block Diagram	8
2	ESP32-S2-SOLO-U Block Diagram	8
3	Module Pin Layout (Top View)	9
4	ESP32-S2-SOLO Schematics	17
5	ESP32-S2-SOLO-U Schematics	18
6	Peripheral Schematics	19
7	ESP32-S2-SOLO Physical Dimensions	20
8	ESP32-S2-SOLO-U Physical Dimensions	21
9	ESP32-S2-SOLO Recommended PCB Land Pattern	22
10	ESP32-S2-SOLO-U Recommended PCB Land Pattern	23
11	U.FL Connector Dimensions	24
12	Reflow Profile	25

2 Block Diagram

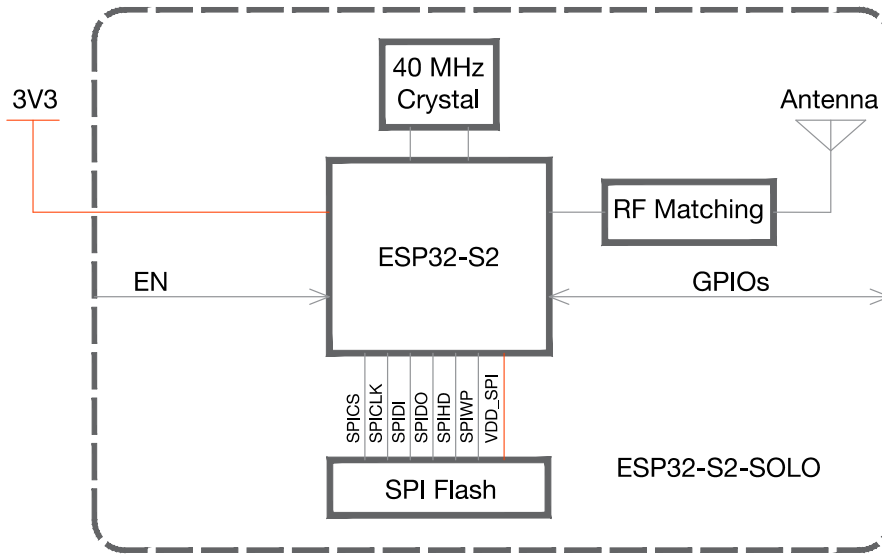


Figure 1: ESP32-S2-SOLO Block Diagram

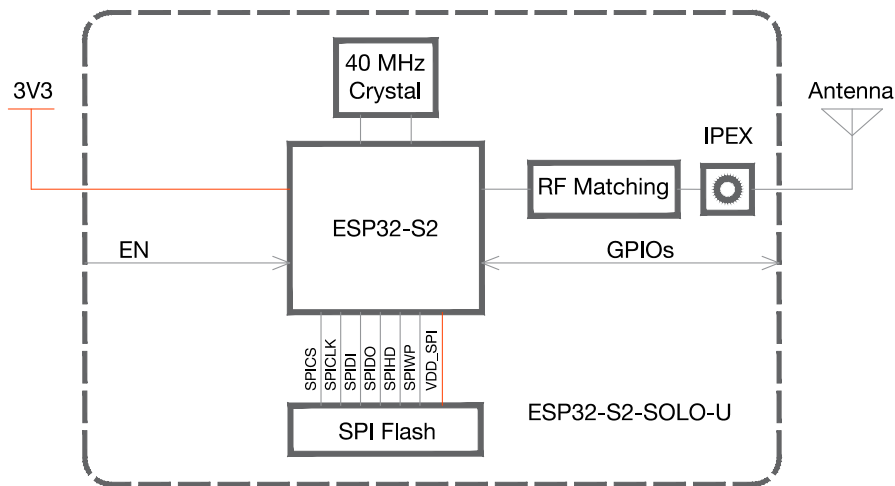


Figure 2: ESP32-S2-SOLO-U Block Diagram

3 Pin Definitions

3.1 Pin Layout

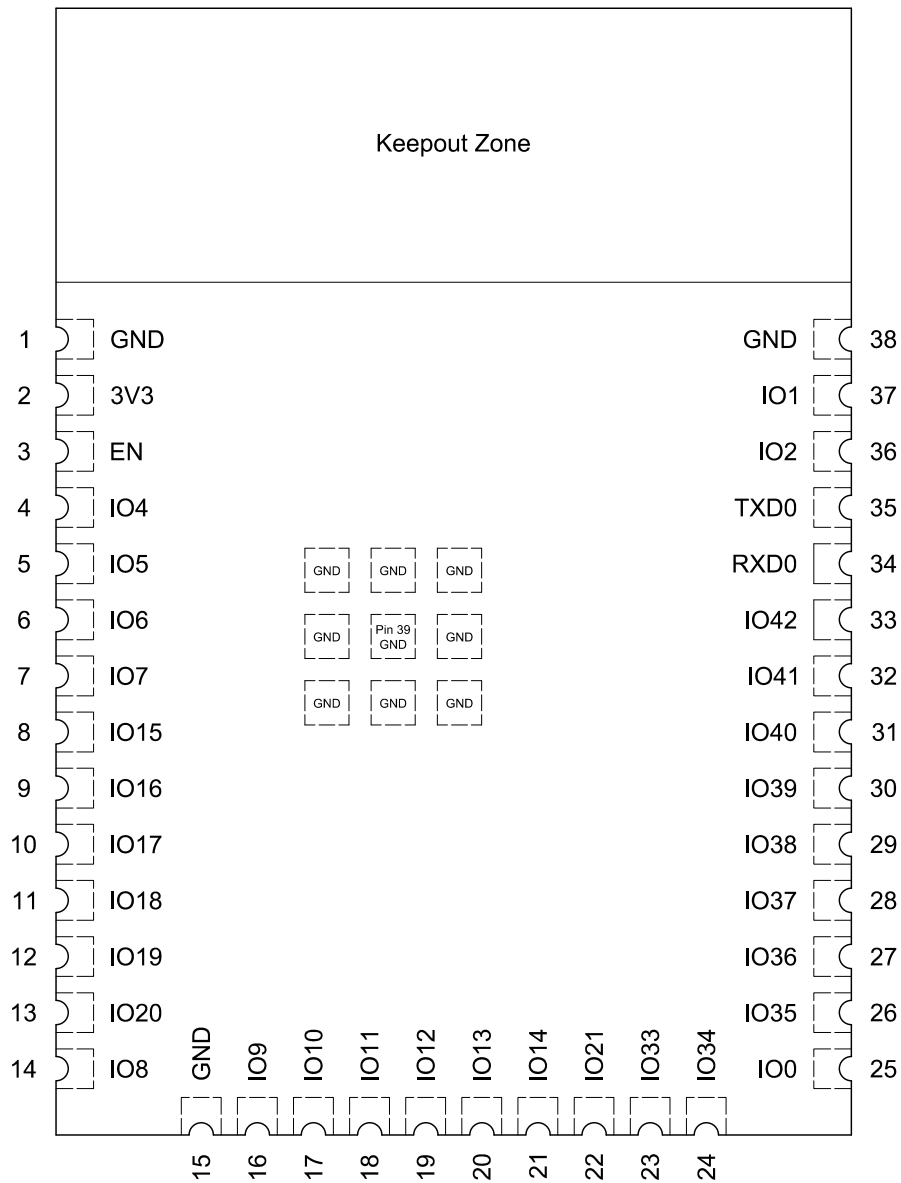


Figure 3: Module Pin Layout (Top View)

Note:

1. The pin diagram shows the approximate location of pins on the module. For the actual mechanical diagram, please refer to Figure 7.1 *Physical Dimensions*.
2. The above pin layout is applicable for ESP32-S2-SOLO and ESP32-S2-SOLO-U, but the latter has no keepout zone.

3.2 Pin Description

The module has 38 pins. See pin definitions in Table 2.

Table 2: Pin Definitions

Name	No.	Type	Function
GND	1	P	Ground
3V3	2	P	Power Supply
EN	3	I	High: on, enables the chip. Low: off, the chip powers off. Note: Do not leave the EN pin floating.
IO4	4	I/O/T	RTC_GPIO4, GPIO4, TOUCH4, ADC1_CH3
IO5	5	I/O/T	RTC_GPIO5, GPIO5, TOUCH5, ADC1_CH4
IO6	6	I/O/T	RTC_GPIO6, GPIO6, TOUCH6, ADC1_CH5
IO7	7	I/O/T	RTC_GPIO7, GPIO7, TOUCH7, ADC1_CH6
IO15	8	I/O/T	RTC_GPIO15, GPIO15, U0RTS, ADC2_CH4, XTAL_32K_P
IO16	9	I/O/T	RTC_GPIO16, GPIO16, U0CTS, ADC2_CH5, XTAL_32K_N
IO17	10	I/O/T	RTC_GPIO17, GPIO17, U1TXD, ADC2_CH6, DAC_1
IO18	11	I/O/T	RTC_GPIO18, GPIO18, U1RXD, ADC2_CH7, DAC_2, CLK_OUT3
IO19	12	I/O/T	RTC_GPIO19, GPIO19, U1RTS, ADC2_CH8, CLK_OUT2, USB_D-
IO20	13	I/O/T	RTC_GPIO20, GPIO20, U1CTS, ADC2_CH9, CLK_OUT1, USB_D+
IO8	14	I/O/T	RTC_GPIO8, GPIO8, TOUCH8, ADC1_CH7
GND	15	P	Ground
IO9	16	I/O/T	RTC_GPIO9, GPIO9, TOUCH9, ADC1_CH8, FSPIHD
IO10	17	I/O/T	RTC_GPIO10, GPIO10, TOUCH10, ADC1_CH9, FSPICS0, FSPIIO4
IO11	18	I/O/T	RTC_GPIO11, GPIO11, TOUCH11, ADC2_CH0, FSPID, FSPIIO5
IO12	19	I/O/T	RTC_GPIO12, GPIO12, TOUCH12, ADC2_CH1, FSPICLK, FSPIIO6
IO13	20	I/O/T	RTC_GPIO13, GPIO13, TOUCH13, ADC2_CH2, FSPIQ, FSPIIO7
IO14	21	I/O/T	RTC_GPIO14, GPIO14, TOUCH14, ADC2_CH3, FSPIWP, FSPIDQS
IO21	22	I/O/T	RTC_GPIO21, GPIO21
IO33	23	I/O/T	SPIIO4, GPIO33, FSPIHD
IO34	24	I/O/T	SPIIO5, GPIO34, FSPICS0
IO0	25	I/O/T	RTC_GPIO0, GPIO0
IO35	26	I/O/T	SPIIO6, GPIO35, FSPID
IO36	27	I/O/T	SPIIO7, GPIO36, FSPICLK
IO37	28	I/O/T	SPIDQS, GPIO37, FSPIQ
IO38	29	I/O/T	GPIO38, FSPIWP
IO39	30	I/O/T	MTCK, GPIO39, CLK_OUT3
IO40	31	I/O/T	MTDO, GPIO40, CLK_OUT2
IO41	32	I/O/T	MTDI, GPIO41, CLK_OUT1
IO42	33	I/O/T	MTMS, GPIO42
RXD0	34	I/O/T	U0RXD, GPIO44, CLK_OUT2
TXD0	35	I/O/T	U0TXD, GPIO43, CLK_OUT1
IO2	36	I/O/T	RTC_GPIO2, GPIO2, TOUCH2, ADC1_CH1
IO1	37	I/O/T	RTC_GPIO1, GPIO1, TOUCH1, ADC1_CH0
GND	38	P	Ground

Notice:

For peripheral pin configurations, please refer to [ESP32-S2 Datasheet](#).

3.3 Strapping Pins

ESP32-S2 has three strapping pins: GPIO0, GPIO45, GPIO46. The pin-pin mapping between ESP32-S2 and the module is as follows, which can be seen in Chapter 5 *Schematics*:

- GPIO0 = IO0
- GPIO45 = IO45
- GPIO46 = IO46

Software can read the values of corresponding bits from register "GPIO_STRAPPING".

During the chip's system reset (power-on-reset, RTC watchdog reset, brownout reset, analog super watchdog reset, and crystal clock glitch detection reset), the latches of the strapping pins sample the voltage level as strapping bits of "0" or "1", and hold these bits until the chip is powered down or shut down.

IO0, IO45 and IO46 are connected to the internal pull-up/pull-down. If they are unconnected or the connected external circuit is high-impedance, the internal weak pull-up/pull-down will determine the default input level of these strapping pins.

To change the strapping bit values, users can apply the external pull-down/pull-up resistances, or use the host MCU's GPIOs to control the voltage level of these pins when powering on ESP32-S2.

After reset, the strapping pins work as normal-function pins.

Refer to Table 3 for a detailed boot-mode configuration of the strapping pins.

Table 3: Strapping Pins

VDD_SPI Voltage ¹			
Pin	Default	3.3 V	1.8 V
IO45 ²	Pull-down	0	1
Booting Mode			
Pin	Default	SPI Boot	Download Boot
IO0	Pull-up	1	0
IO46	Pull-down	Don't-care	0
Enabling/Disabling ROM Code Print During Booting ^{3 4}			
Pin	Default	Enabled	Disabled
IO46	Pull-down	See the fourth note	See the fourth note

Note:

1. Firmware can configure register bits to change the settings of "VDD_SPI Voltage".
2. The strapping combination of GPIO46 = 1 and GPIO0 = 0 is invalid and will trigger unexpected behavior.
3. Internal pull-up resistor (R1) for IO45 is not populated in the module, as the flash in the module works at 3.3 V by default (output by VDD_SPI). Please make sure IO45 will not be pulled high when the module is powered up by external circuit.
4. ROM code can be printed over TXD0 (by default) or DAC_1 (IO17), depending on the eFuse bit.
5. When eFuse UART_PRINT_CONTROL value is:
 - 0, print is normal during boot and not controlled by IO46.
 - 1 and IO46 is 0, print is normal during boot; but if IO46 is 1, print is disabled.
 - 2 and IO46 is 0, print is disabled; but if IO46 is 1, print is normal.
 - 3, print is disabled and not controlled by IO46.

4 Electrical Characteristics

4.1 Absolute Maximum Ratings

Table 4: Absolute Maximum Ratings

Symbol	Parameter	Min	Max	Unit
VDD33	Power supply voltage	-0.3	3.6	V
T _{STORE}	Storage temperature	-40	85	°C

4.2 Recommended Operating Conditions

Table 5: Recommended Operating Conditions

Symbol	Parameter	Min	Typ	Max	Unit
VDD33	Power supply voltage	3.0	3.3	3.6	V
I _{VDD}	Current delivered by external power supply	0.5	—	—	A
T	Operating temperature	-40	—	85	°C
Humidity	Humidity condition	—	85	—	%RH

4.3 DC Characteristics (3.3 V, 25 °C)

Table 6: DC Characteristics (3.3 V, 25 °C)

Symbol	Parameter	Min	Typ	Max	Unit
C _{IN}	Pin capacitance	—	2	—	pF
V _{IH}	High-level input voltage	0.75 × VDD	—	VDD + 0.3	V
V _{IL}	Low-level input voltage	-0.3	—	0.25 × VDD	V
I _{IH}	High-level input current	—	—	50	nA
I _{IL}	Low-level input current	—	—	50	nA
V _{OH} ²	High-level output voltage	0.8 × VDD	—	—	V
V _{OL} ²	Low-level output voltage	—	—	0.1 × VDD	V
I _{OH}	High-level source current (VDD = 3.3 V, V _{OH} ≥ 2.64 V, PAD_DRIVER = 3)	—	40	—	mA
I _{OL}	Low-level sink current (VDD = 3.3 V, V _{OL} = 0.495 V, PAD_DRIVER = 3)	—	28	—	mA
R _{PU}	Pull-up resistor	—	45	—	kΩ
R _{PD}	Pull-down resistor	—	45	—	kΩ
V _{IH_nRST}	Chip reset release voltage	0.75 × VDD	—	VDD + 0.3	V
V _{IL_nRST}	Chip reset voltage	-0.3	—	0.25 × VDD	V

Note:

1. VDD is the I/O voltage for a particular power domain of pins.
2. V_{OH} and V_{OL} are measured using high-impedance load.

4.4 Current Consumption Characteristics

With the use of advanced power-management technologies, the module can switch between different power modes. For details on different power modes, please refer to Section *RTC and Low-Power Management* in [ESP32-S2 Datasheet](#).

Table 7: Current Consumption Depending on RF Modes

Work mode	Description		Peak
Active (RF working)	TX	802.11b, 20 MHz, 1 Mbps, @19.5 dBm	310 mA
		802.11g, 20 MHz, 54 Mbps, @15 dBm	220 mA
		802.11b, 20 MHz, MCS7, @13.5 dBm	205 mA
		802.11n, 40 MHz, MCS7, @13.5 dBm	165 mA
	RX	802.11b/g/n, 20 MHz	71 mA
		802.11n, 40 MHz	75 mA

Note:

- The current consumption measurements are taken with a 3.3 V supply at 25 °C of ambient temperature at the RF port. All transmitters' measurements are based on a 100% duty cycle.
- The current consumption figures for in RX mode are for cases when the peripherals are disabled and the CPU idle.

Table 8: Current Consumption Depending on Work Modes

Work mode	Description	Current consumption (Typ)	
Modem-sleep	The CPU is powered on	240 MHz 160 MHz Normal speed: 80 MHz	22 mA 17 mA 14 mA
	Light-sleep	—	550 μ A
	Deep-sleep	The ULP co-processor is powered on.	235 μ A
ULP sensor-monitored pattern		22 μ A @1% duty	
RTC timer + RTC memory		25 μ A	
RTC timer only		20 μ A	
Power off	CHIP_PU is set to low level, the chip is powered off.	1 μ A	

Note:

- The current consumption figures in Modem-sleep mode are for cases where the CPU is powered on and the cache idle.
- When Wi-Fi is enabled, the chip switches between Active and Modem-sleep modes. Therefore, current consumption changes accordingly.
- In Modem-sleep mode, the CPU frequency changes automatically. The frequency depends on the CPU load and the peripherals used.
- During Deep-sleep, when the ULP co-processor is powered on, peripherals such as GPIO and I2C are able to operate.
- The "ULP sensor-monitored pattern" refers to the mode where the ULP coprocessor or the sensor works periodically. When touch sensors work with a duty cycle of 1%, the typical current consumption is 22 μ A.

4.5 Wi-Fi RF Characteristics

4.5.1 Wi-Fi RF Standards

Table 9: Wi-Fi RF Standards

Name		Description
Center frequency range of operating channel <i>note1</i>		2412 ~ 2484 MHz
Wi-Fi wireless standard		IEEE 802.11b/g/n
Data rate	20 MHz	11b: 1, 2, 5.5 and 11 Mbps 11g: 6, 9, 12, 18, 24, 36, 48, 54 Mbps 11n: MCS0-7, 72.2 Mbps (Max)
	40 MHz	11n: MCS0-7, 150 Mbps (Max)
Antenna type		PCB antenna, IPEX antenna

1. Device should operate in the center frequency range allocated by regional regulatory authorities. Target center frequency range is configurable by software.
2. For the modules that use IPEX antennas, the output impedance is 50 Ω . For other modules without IPEX antennas, users do not need to concern about the output impedance.

4.5.2 Transmitter Characteristics

Table 10: Transmitter Characteristics

Parameter	Rate	Typ	Unit
TX Power <i>note1</i>	11b, 1 Mbps	19.5	dBm
	11b, 11 Mbps	19.5	
	11g, 6 Mbps	18	
	11g, 54 Mbps	15	
	11n, HT20, MCS0	18	
	11n, HT20, MCS7	13.5	
	11n, HT40, MCS0	18	
	11n, HT40, MCS7	13.5	

1. Target TX power is configurable based on device or certification requirements.

4.5.3 Receiver Characteristics

Table 11: Receiver Characteristics

Parameter	Rate	Typ	Unit
RX Sensitivity	1 Mbps	-97	dBm
	2 Mbps	-95	
	5.5 Mbps	-93	
	11 Mbps	-88	
	6 Mbps	-92	
	9 Mbps	-91	

Parameter	Rate	Typ	Unit
RX Sensitivity	12 Mbps	-89	dBm
	18 Mbps	-86	
	24 Mbps	-83	
	36 Mbps	-80	
	48 Mbps	-76	
	54 Mbps	-75	
	11n, HT20, MCS0	-92	
	11n, HT20, MCS1	-88	
	11n, HT20, MCS2	-85	
	11n, HT20, MCS3	-83	
	11n, HT20, MCS4	-79	
	11n, HT20, MCS5	-75	
	11n, HT20, MCS6	-73	
	11n, HT20, MCS7	-72	
	11n, HT40, MCS0	-89	
	11n, HT40, MCS1	-85	
	11n, HT40, MCS2	-83	
	11n, HT40, MCS3	-79	
	11n, HT40, MCS4	-76	
	11n, HT40, MCS5	-72	
	11n, HT40, MCS6	-70	
11n, HT40, MCS7	-68		
RX Maximum Input Level	11b, 1 Mbps	5	dBm
	11b, 11 Mbps	5	
	11g, 6 Mbps	5	
	11g, 54 Mbps	0	
	11n, HT20, MCS0	5	
	11n, HT20, MCS7	0	
	11n, HT40, MCS0	5	
	11n, HT40, MCS7	0	
Adjacent Channel Rejection	11b, 11 Mbps	35	dB
	11g, 6 Mbps	31	
	11g, 54 Mbps	14	
	11n, HT20, MCS0	31	
	11n, HT20, MCS7	13	
	11n, HT40, MCS0	19	
	11n, HT40, MCS7	8	

5 Schematics

This is the reference design of the module.

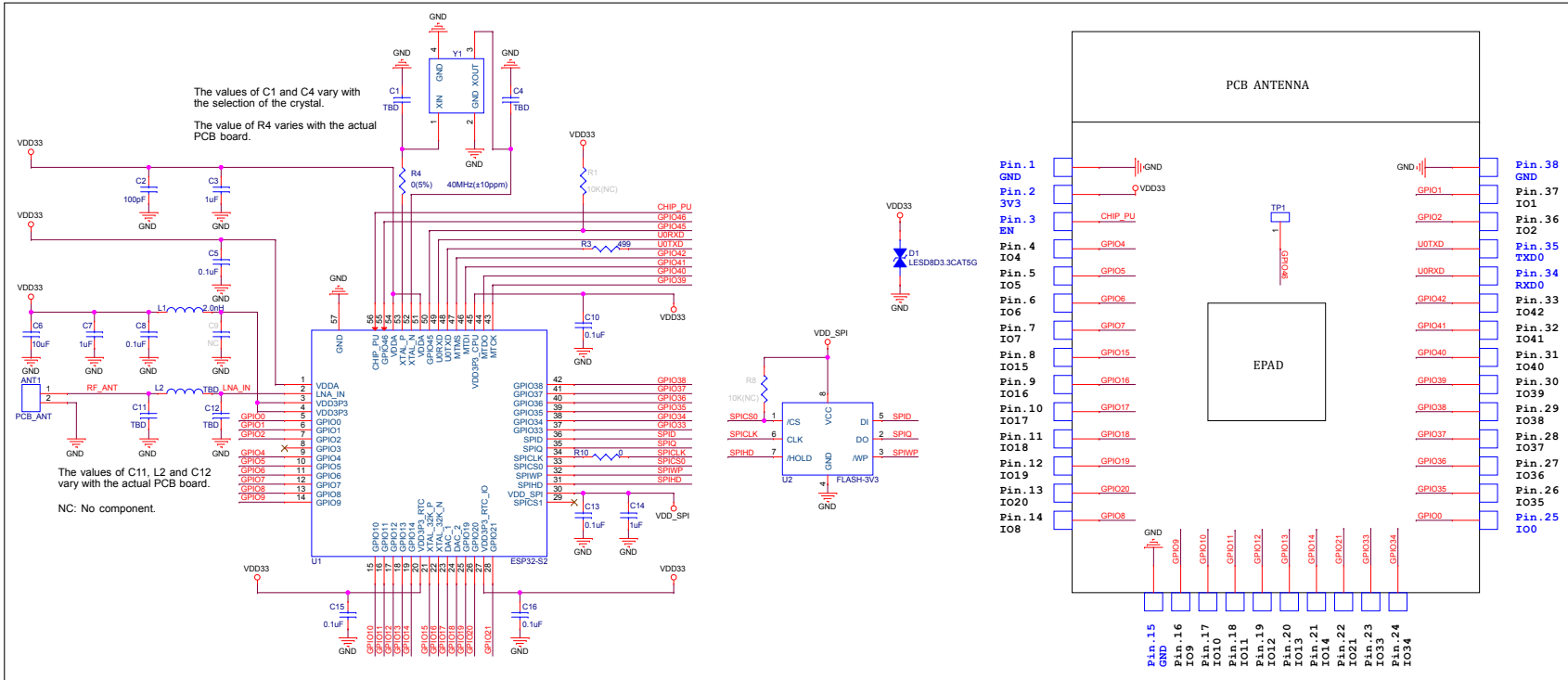


Figure 4: ESP32-S2-SOLO Schematics

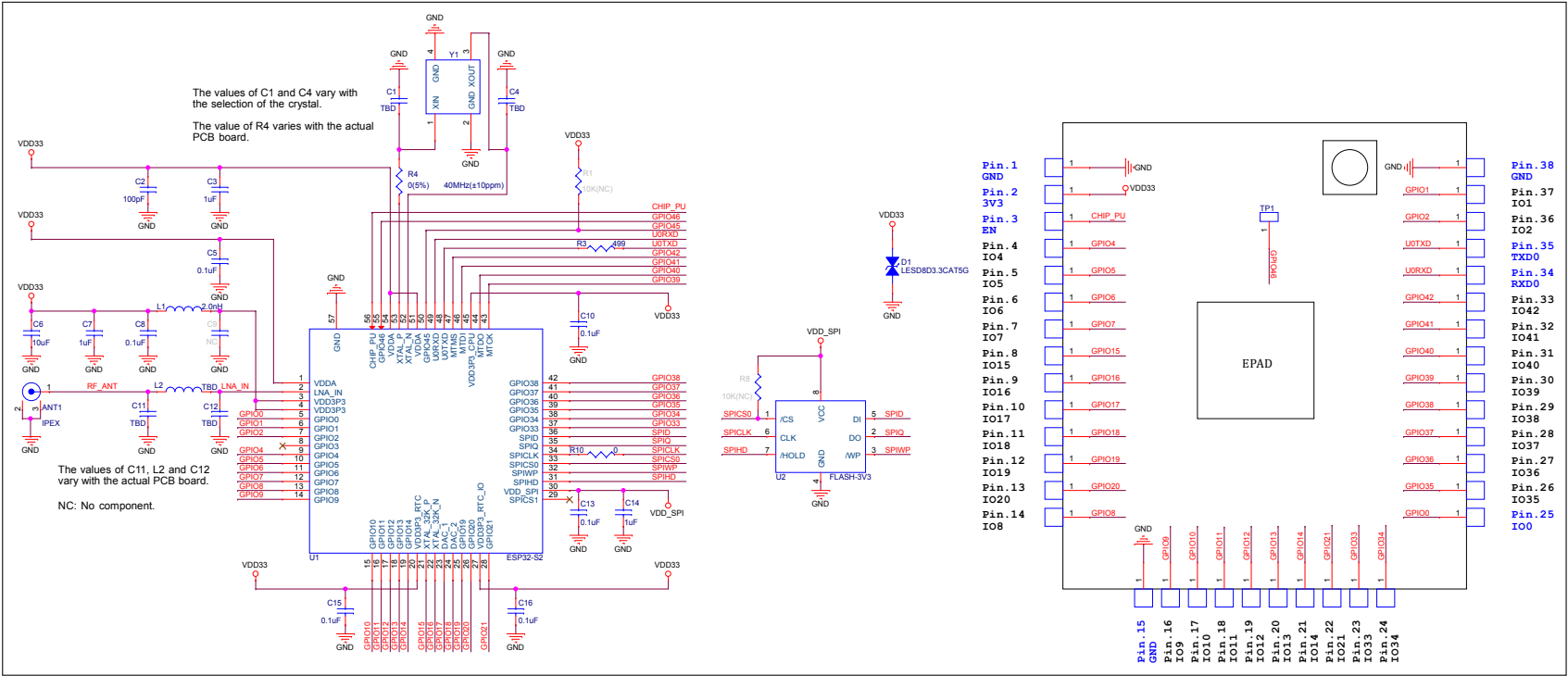


Figure 5: ESP32-S2-SOLO-U Schematics

6 Peripheral Schematics

This is the typical application circuit of the module connected with peripheral components (for example, power supply, antenna, reset button, JTAG interface, and UART interface).

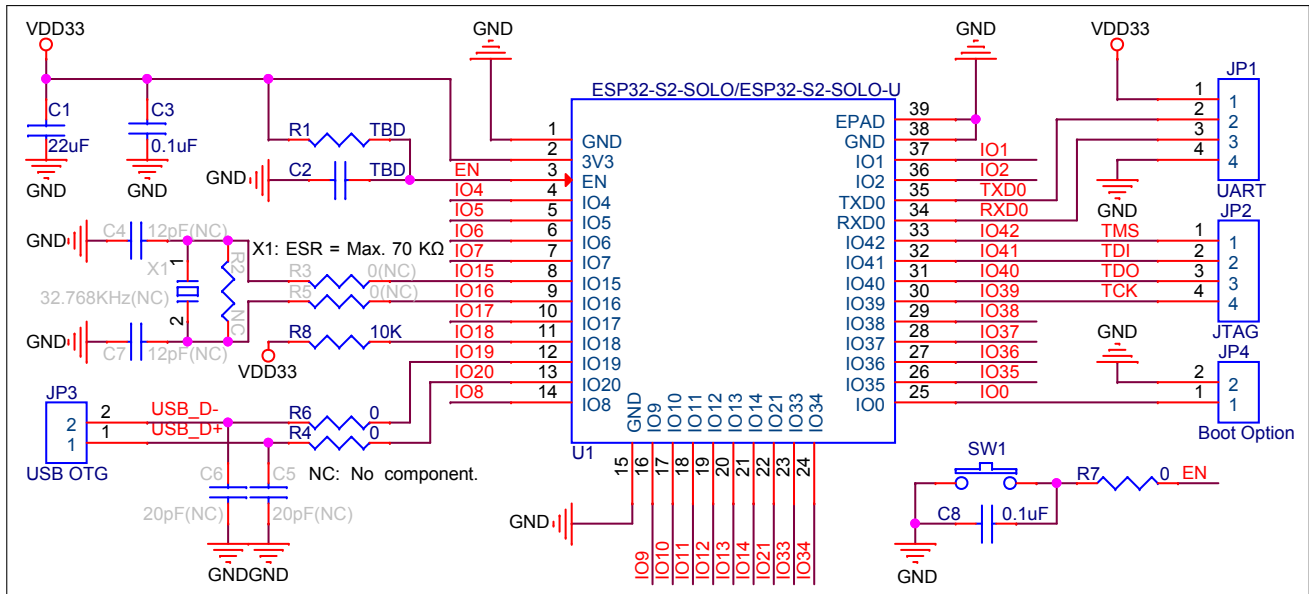


Figure 6: Peripheral Schematics

Note:

- Soldering the EPAD to the ground of the base board is not a must, though doing so can get optimized thermal performance. If users do want to solder it, they need to ensure that the correct quantity of soldering paste is applied.
- To ensure the power supply to the ESP32-S2 chip during power-up, it is advised to add an RC delay circuit at the EN pin. The recommended setting for the RC delay circuit is usually $R = 10\text{ k}\Omega$ and $C = 1\ \mu\text{F}$. However, specific parameters should be adjusted based on the power-up timing of the module and the power-up and reset sequence timing of the chip. For ESP32-S2's power-up and reset sequence timing diagram, please refer to Section *Power Scheme* in [ESP32-S2 Datasheet](#).
- GPIO18 works as U1RXD and is in an uncertain state when the chip is powered on, which may affect the chip's entry into download boot mode. To solve this issue, add an external pull-up resistor.

7 Physical Dimensions and PCB Land Pattern

7.1 Physical Dimensions

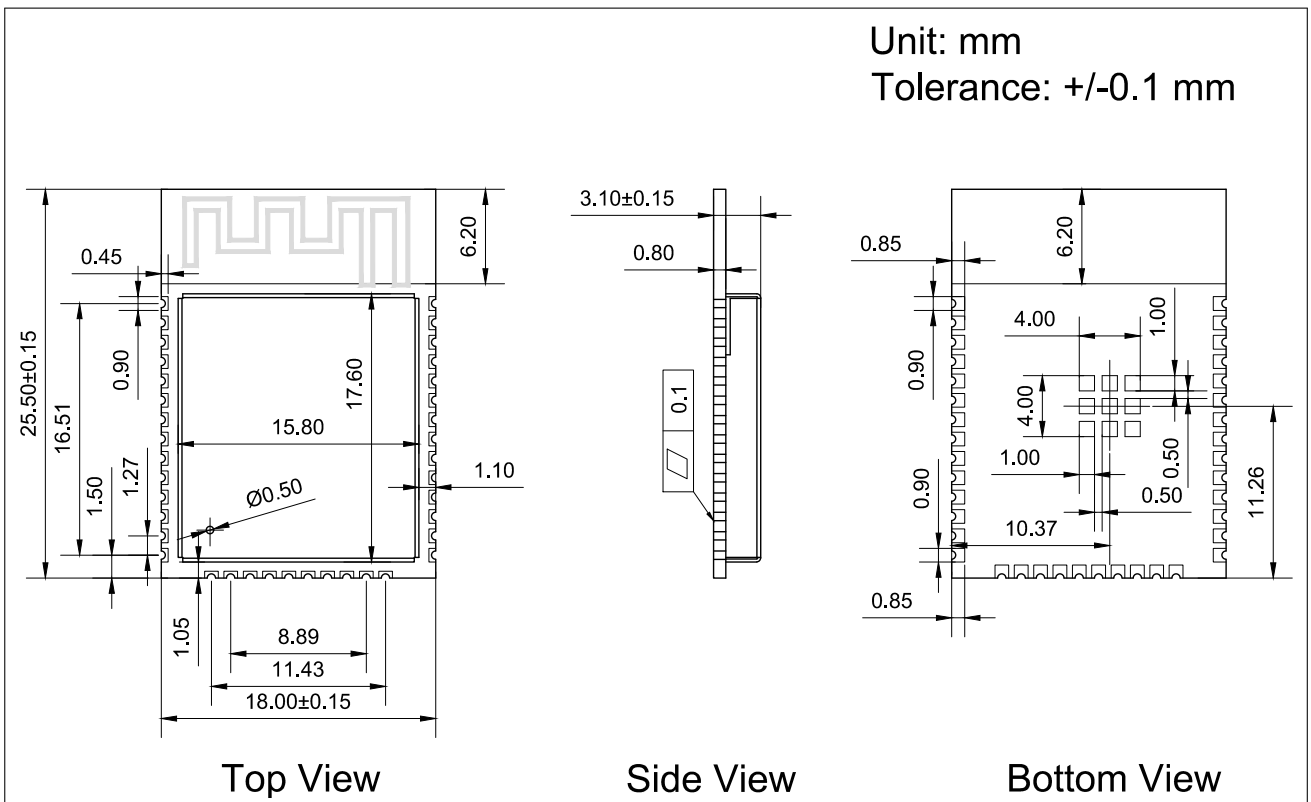


Figure 7: ESP32-S2-SOLO Physical Dimensions

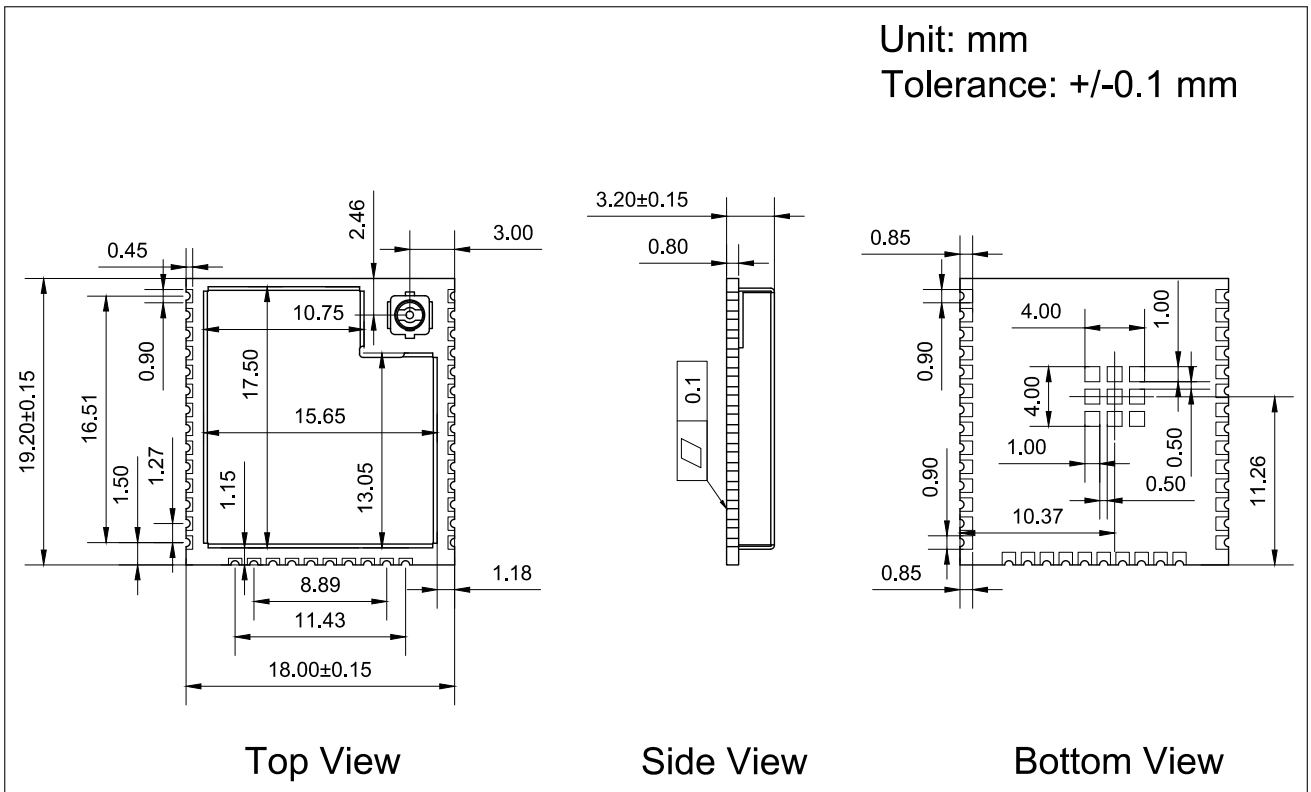


Figure 8: ESP32-S2-SOLO-U Physical Dimensions

7.2 Recommended PCB Land Pattern

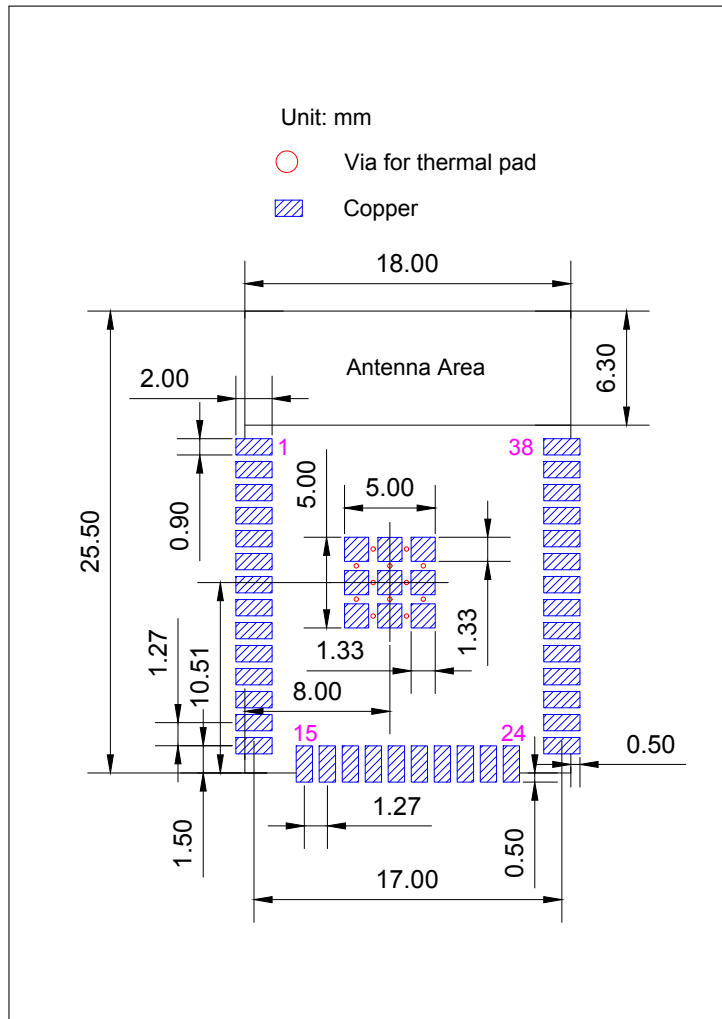


Figure 9: ESP32-S2-SOLO Recommended PCB Land Pattern

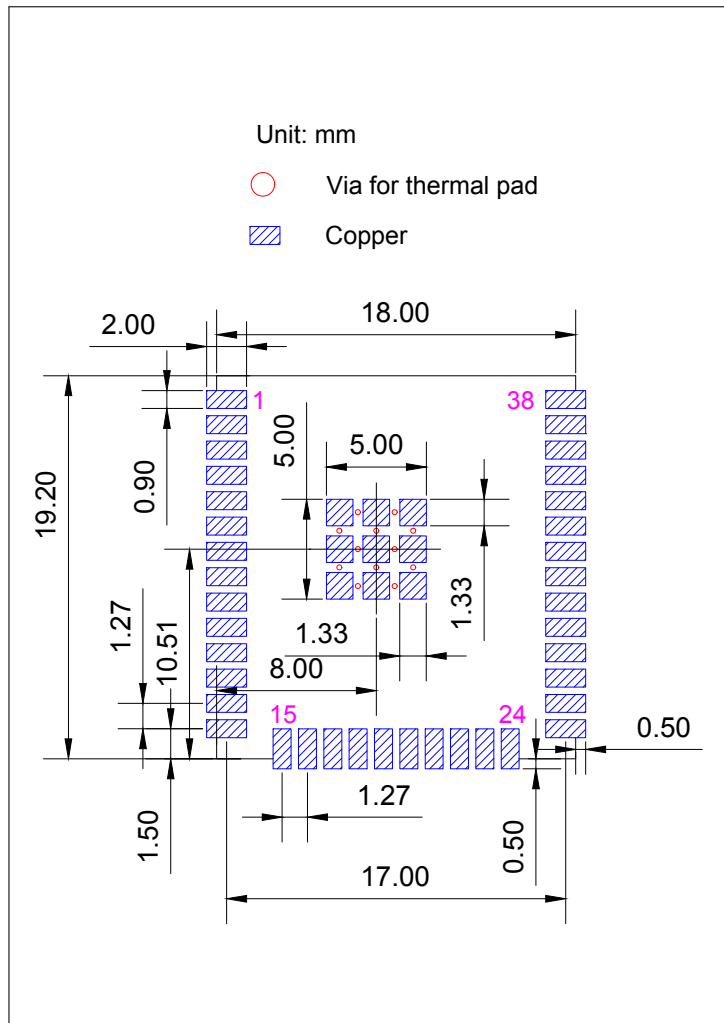


Figure 10: ESP32-S2-SOLO-U Recommended PCB Land Pattern

7.3 U.FL Connector Dimensions

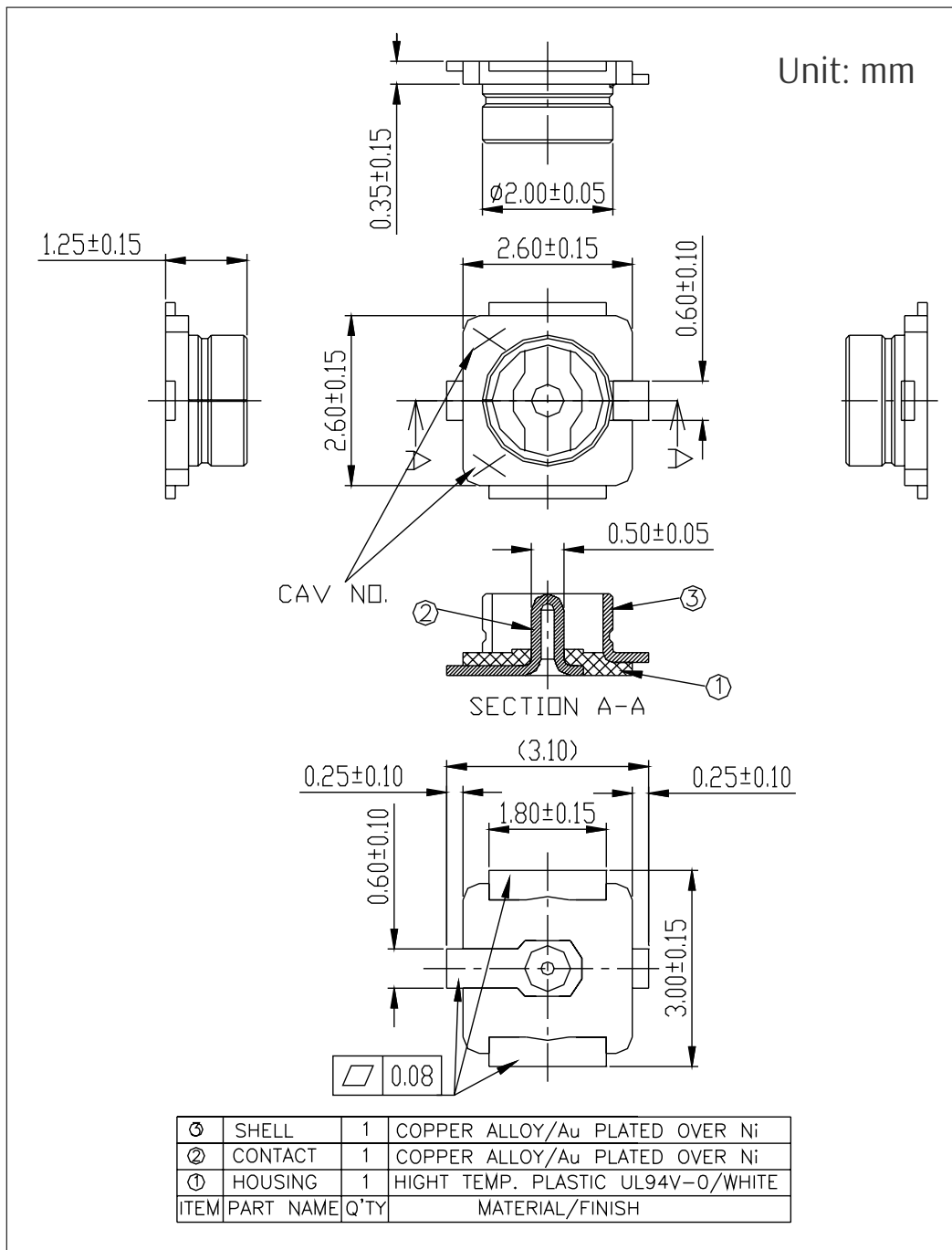


Figure 11: U.FL Connector Dimensions

8 Product Handling

8.1 Storage Condition

The products sealed in Moisture Barrier Bag (MBB) should be stored in a noncondensing atmospheric environment of $< 40\text{ }^{\circ}\text{C}/90\%\text{RH}$.

The module is rated at moisture sensitivity level (MSL) 3.

After unpacking, the module must be soldered within 168 hours with factory conditions $25\pm 5\text{ }^{\circ}\text{C}$ and $/60\%\text{RH}$. The module needs to be baked if the above conditions are not met.

8.2 ESD

- Human body model (HBM): 2000 V
- Charged-device model (CDM): 500 V
- Air discharge: 6000 V
- Contact discharge: 4000 V

8.3 Reflow Profile

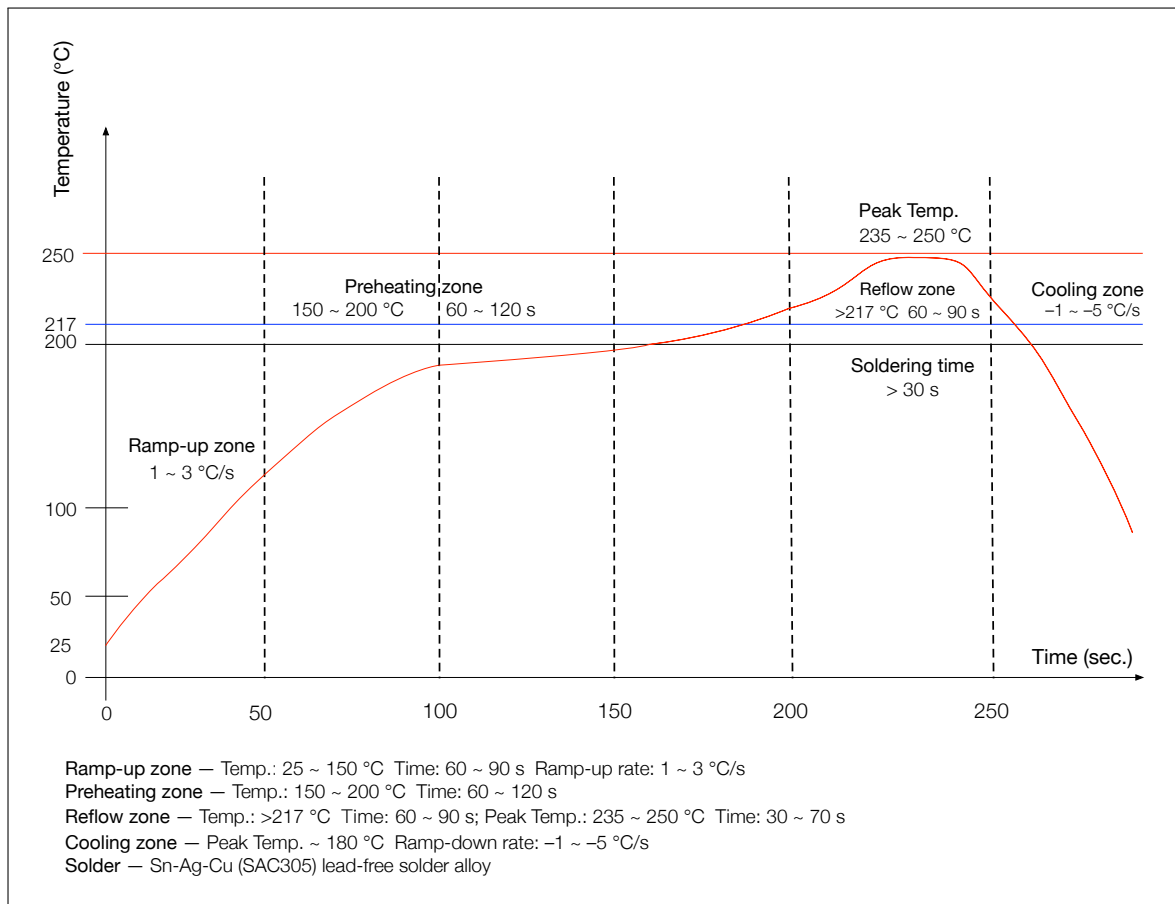


Figure 12: Reflow Profile

Note:

Solder the module in a single reflow.

9 MAC Addresses and eFuse

The eFuse in ESP32-S2 has been burnt into 48-bit `mac_address`. The actual addresses the chip uses in station or AP modes correspond to `mac_address` in the following way:

- Station mode: `mac_address`
- AP mode: `mac_address + 1`

There are seven blocks in eFuse for users to use. Each block is 256 bits in size and has independent write/read disable controller. Six of them can be used to store encrypted key or user data, and the remaining one is only used to store user data.

10 Learning Resources

10.1 Must-Read Documents

The following link provides documents related to ESP32-S2.

- [ESP32-S2 Datasheet](#)
This document provides an introduction to the specifications of the ESP32-S2 hardware, including overview, pin definitions, functional description, peripheral interface, electrical characteristics, etc.
- [ESP-IDF Programming Guide](#)
It hosts extensive documentation for ESP-IDF ranging from hardware guides to API reference.
- [ESP32-S2 Technical Reference Manual](#)
The manual provides detailed information on how to use the ESP32-S2 memory and peripherals.
- [Espressif Products Ordering Information](#)

10.2 Must-Have Resources

Here are the ESP32-S2-related must-have resources.

- [ESP32-S2 BBS](#)
This is an Engineer-to-Engineer (E2E) Community for ESP32-S2 where you can post questions, share knowledge, explore ideas, and help solve problems with fellow engineers.

Revision History

Date	Version	Release notes
2020-12-17	V1.2	<ul style="list-style-type: none">• Added TWAI to Chapter 1 Module Overview• Updated Table 7 Current Consumption Characteristics• Updated the capacitance value of RC delay circuit to 1 μF in Chapter 6 Peripheral Schematics• Updated note in Section 8.3 Reflow Profile
2020-07-31	V1.1	Updated notes in table 1
2020-07-22	V1.0	Official release
2020-05-19	V0.1	Preliminary release



www.espressif.com

Disclaimer and Copyright Notice

Information in this document, including URL references, is subject to change without notice.

ALL THIRD PARTY'S INFORMATION IN THIS DOCUMENT IS PROVIDED AS IS WITH NO WARRANTIES TO ITS AUTHENTICITY AND ACCURACY.

NO WARRANTY IS PROVIDED TO THIS DOCUMENT FOR ITS MERCHANTABILITY, NON-INFRINGEMENT, FITNESS FOR ANY PARTICULAR PURPOSE, NOR DOES ANY WARRANTY OTHERWISE ARISING OUT OF ANY PROPOSAL, SPECIFICATION OR SAMPLE.

All liability, including liability for infringement of any proprietary rights, relating to use of information in this document is disclaimed. No licenses express or implied, by estoppel or otherwise, to any intellectual property rights are granted herein.

The Wi-Fi Alliance Member logo is a trademark of the Wi-Fi Alliance. The Bluetooth logo is a registered trademark of Bluetooth SIG.

All trade names, trademarks and registered trademarks mentioned in this document are property of their respective owners, and are hereby acknowledged.

Copyright © 2021 Espressif Systems (Shanghai) Co., Ltd. All rights reserved.