

## AMT- DAS1595R25C14

### Ceramic 3mm pin antenna

#### GPS/GLONASS antenna

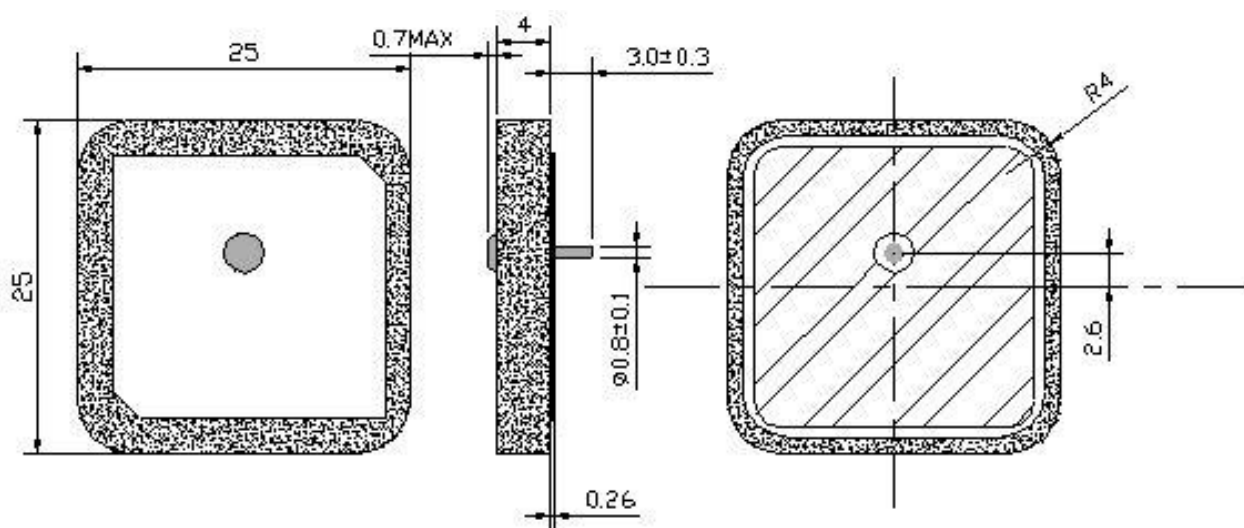
- 1575.42 MHz

- 1602~1608 MHz

Pin Mount

Customizable tuning and matching

Max dimensions 25 x 25 x 4 mm



tolerance  $\pm 0.2$



## 1. Specifications

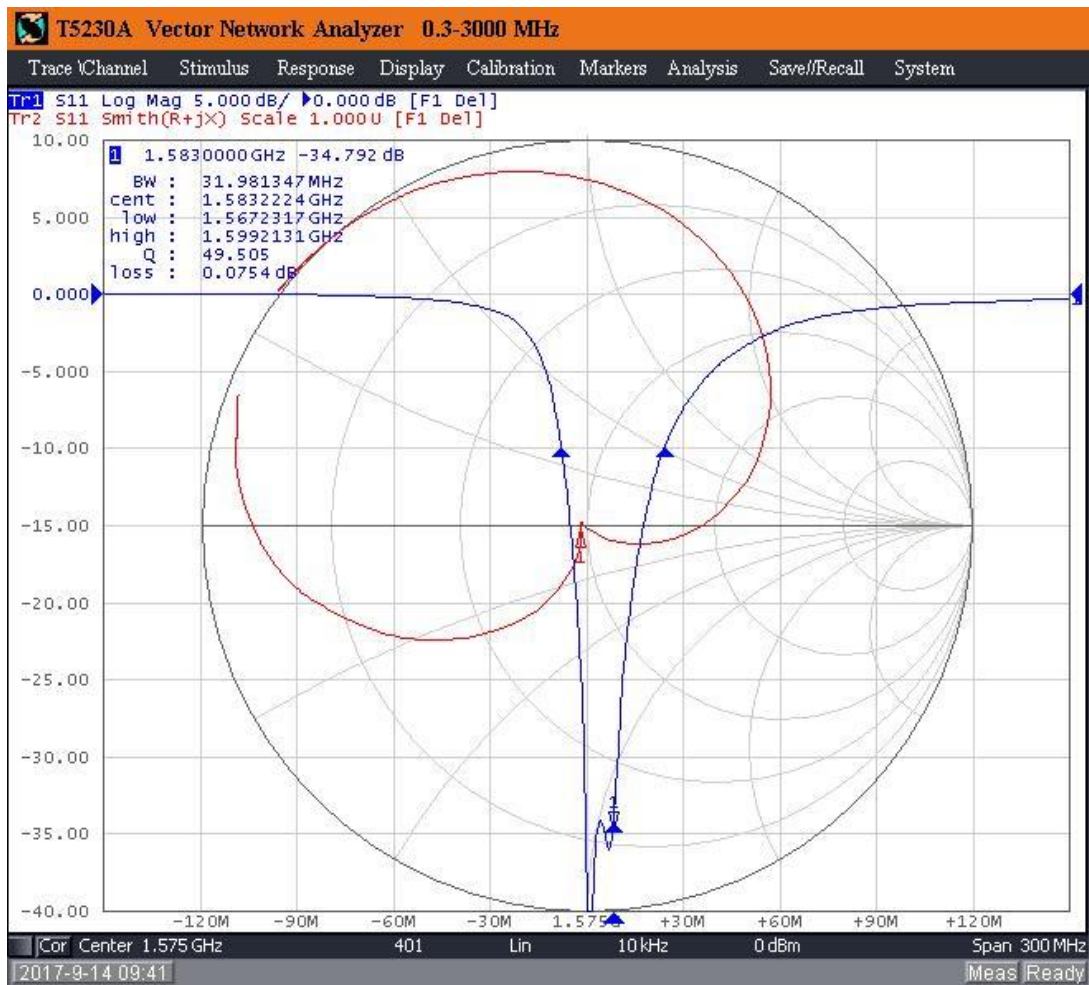
Parameters	GPS/Glonass Antenna
<b>Standards</b>	GPS and GLONASS
<b>Frequency (MHz)</b>	1575.45-1608
<b>Central Frequency (MHz)</b>	1583 ± 3
<b>Band Width (MHz) with return loss 10dBi</b>	15
<b>VSWR</b>	~1.5:1
<b>Zenith Gain (dBic)</b>	~3
<b>Axial Ratio (dB)</b>	≤5
<b>Impedance (Ohm)</b>	50
<b>Polarisation</b>	RHCP

## 2. Mechanical and environmental specifications

Specifications	AMT-DAS1595R25C14
<b>Mounting Type</b>	pin mount
<b>Max dimensions (mm)</b>	25 x 25 x 4
<b>Material</b>	Ceramic
<b>Operating Temperature (C)</b>	-40 to +90
<b>Substance Compliance</b>	RoHS
<b>Vibration</b>	10 to 55Hz with 1.5mm amplitude 2hours



### 3. Radiation pattern



## 4. PCB layout

