

SC20 Reference Design

Smart LTE Module Series

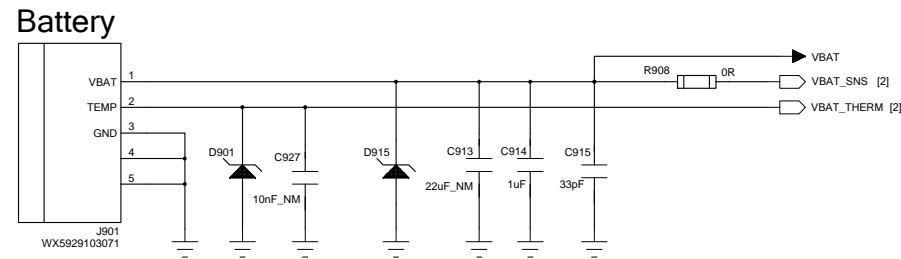
Rev. SC20_Reference_Design_Rev.C

Date: 2017-01-24

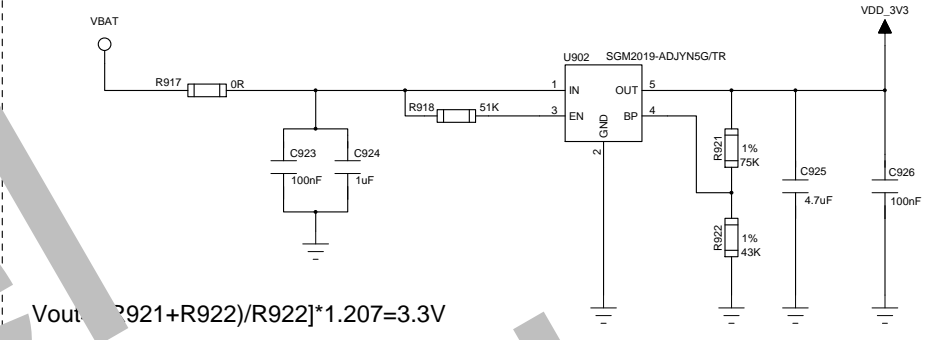


Power Supply

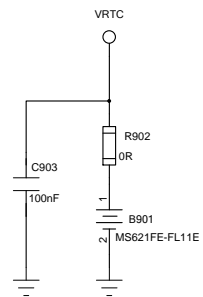
Battery Application



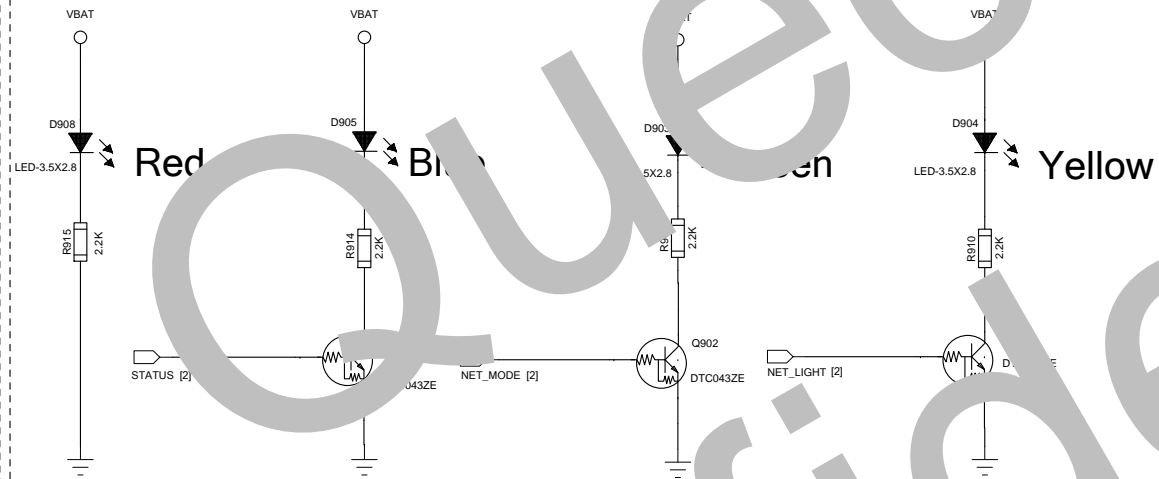
Power Supply for 3V3



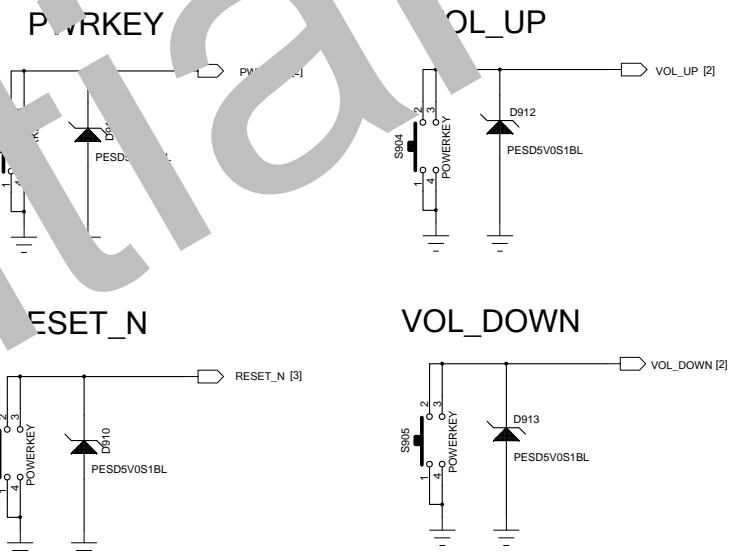
Backup Battery



Indicator Light



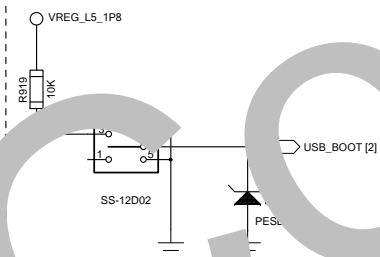
Keypad



Charger Selection



Emergency Download Interface



- Notes:
1. Internal charger is used when R916 is not mounted.
 2. If external charger is used, R916 must be mounted.

Quectel Wireless Solutions		
DRAWN BY Sea BAI/Storm BAO	PROJECT SC20	TITLE Reference Design
CHECKED BY Tony GAO	SIZE A2	VER C
	SHEET 10 OF 10	DATE 2017/1/24