

# EC200T Mini PCIe

# Hardware Design

**LTE Standard Module Series**

Rev. EC200T\_Mini\_PcIe\_Hardware\_Design\_V1.0

Date: 2020-02-27

Status: Released



**Our aim is to provide customers with timely and comprehensive service. For any assistance, please contact our company headquarters:**

**Quectel Wireless Solutions Co., Ltd.**

Building 5, Shanghai Business Park Phase III (Area B), No.1016 Tianlin Road, Minhang District, Shanghai, China 200233

Tel: +86 21 5108 6236

Email: [info@quectel.com](mailto:info@quectel.com)

**Or our local office. For more information, please visit:**

<http://www.quectel.com/support/sales.htm>

**For technical support, or to report documentation errors, please visit:**

<http://www.quectel.com/support/technical.htm>

Or email to: [support@quectel.com](mailto:support@quectel.com)

**GENERAL NOTES**

QUECTEL OFFERS THE INFORMATION AS A SERVICE TO ITS CUSTOMERS. THE INFORMATION PROVIDED IS BASED UPON CUSTOMERS' REQUIREMENTS. QUECTEL MAKES EVERY EFFORT TO ENSURE THE QUALITY OF THE INFORMATION IT MAKES AVAILABLE. QUECTEL DOES NOT MAKE ANY WARRANTY AS TO THE INFORMATION CONTAINED HEREIN, AND DOES NOT ACCEPT ANY LIABILITY FOR ANY INJURY, LOSS OR DAMAGE OF ANY KIND INCURRED BY USE OF OR RELIANCE UPON THE INFORMATION. ALL INFORMATION SUPPLIED HEREIN IS SUBJECT TO CHANGE WITHOUT PRIOR NOTICE.

**COPYRIGHT**

THE INFORMATION CONTAINED HERE IS PROPRIETARY TECHNICAL INFORMATION OF QUECTEL WIRELESS SOLUTIONS CO., LTD. TRANSMITTING, REPRODUCTION, DISSEMINATION AND EDITING OF THIS DOCUMENT AS WELL AS UTILIZATION OF THE CONTENT ARE FORBIDDEN WITHOUT PERMISSION. OFFENDERS WILL BE HELD LIABLE FOR PAYMENT OF DAMAGES. ALL RIGHTS ARE RESERVED IN THE EVENT OF A PATENT GRANT OR REGISTRATION OF A UTILITY MODEL OR DESIGN.

***Copyright © Quectel Wireless Solutions Co., Ltd. 2020. All rights reserved.***

# About the Document

## Revision History

Version	Date	Author	Description
1.0	2020-02-27	Jaye SANG/ Niko WU	Initial

---

## Contents

<b>About the Document</b> .....	<b>2</b>
<b>Contents</b> .....	<b>3</b>
<b>Table Index</b> .....	<b>5</b>
<b>Figure Index</b> .....	<b>6</b>
<b>1 Introduction</b> .....	<b>7</b>
1.1. Safety Information.....	8
<b>2 Product Concept</b> .....	<b>9</b>
2.1. General Description.....	9
2.2. Description of Module Series.....	10
2.3. Key Features.....	10
2.4. Functional Diagram.....	13
<b>3 Application Interfaces</b> .....	<b>14</b>
3.1. Pin Assignment.....	14
3.2. Pin Description.....	15
3.3. Operating Modes.....	18
3.4. Power Saving.....	18
3.4.1. Sleep Mode.....	18
3.4.2. Airplane Mode.....	19
3.5. Power Supply.....	19
3.6. (U)SIM Interface.....	20
3.7. USB Interface.....	22
3.8. UART Interface.....	23
3.9. PCM and I2C Interfaces.....	24
3.10. Control and Indication Signals.....	26
3.10.1. RI Signal.....	27
3.10.2. DTR Signal.....	27
3.10.3. W_DISABLE# Signal.....	27
3.10.4. PERST# Signal.....	28
3.10.5. LED_WWAN# Signal.....	28
3.10.6. WAKE# Signal.....	29
<b>4 Antenna Connection</b> .....	<b>31</b>
4.1. Antenna Connectors.....	31
4.1.1. Operating Frequency.....	31
4.2. Antenna Requirements.....	33
4.3. Recommended Mating Plugs for Antenna Connection.....	33
<b>5 Electrical, Reliability and Radio Characteristics</b> .....	<b>35</b>
5.1. General Description.....	35
5.2. Power Supply Requirements.....	35
5.3. I/O Requirements.....	36

5.4.	RF Characteristics .....	36
5.5.	ESD Characteristics .....	38
<b>6</b>	<b>Dimensions and Packaging .....</b>	<b>40</b>
6.1.	General Description .....	40
6.2.	Mechanical Dimensions of EC200T Mini PCIe .....	40
6.3.	Standard Dimensions of Mini PCI Express .....	41
6.4.	Packaging Specifications.....	42
<b>7</b>	<b>Appendix A References.....</b>	<b>43</b>

## Table Index

Table 1: Description of EC200T Mini PCIe.....	10
Table 2: Key Features of EC200T Mini PCIe .....	10
Table 3: I/O Parameters Definition .....	15
Table 4: Pin Description .....	15
Table 5: Overview of Operating Modes.....	18
Table 6: Definition of VCC_3V3 and GND Pins .....	19
Table 7: Pin Definition of (U)SIM Interface.....	20
Table 8: Pin Definition of USB Interface.....	22
Table 9: Pin Definition of Main UART Interface.....	24
Table 10: Pin Definition of PCM and I2C Interfaces .....	25
Table 11: Pin Definition of Control and Indication Signals .....	26
Table 12: Airplane Mode Controlled by Hardware Method .....	27
Table 13: Airplane Mode Controlled by Software Method.....	28
Table 14: Indications of Network Status (AT+QCFG="ledmode",0, Default Setting).....	29
Table 15: Indications of Network Status (AT+QCFG="ledmode",2).....	29
Table 16: EC200T-CN Operating Frequencies .....	31
Table 17: EC200T-EU Operating Frequencies .....	32
Table 18: Antenna Requirements.....	33
Table 19: Power Supply Requirements.....	35
Table 20: I/O Requirements .....	36
Table 21: Conducted RF Output Power of EC200T Mini PCIe .....	36
Table 22: Conducted RF Receiving Sensitivity of EC200T-CN Mini PCIe .....	37
Table 23: Conducted RF Receiving Sensitivity of EC200T-EU Mini PCIe.....	37
Table 24: ESD Characteristics of EC200T Mini PCIe .....	38
Table 25: Related Documents .....	43
Table 26: Terms and Abbreviations .....	43

## Figure Index

Figure 1: Functional Diagram.....	13
Figure 2: Pin Assignment .....	14
Figure 3: Reference Circuit of Power Supply.....	20
Figure 4: Reference Circuit of (U)SIM Interface with an 8-pin (U)SIM Card Connector .....	21
Figure 5: Reference Circuit of (U)SIM Interface with a 6-pin (U)SIM Card Connector .....	21
Figure 6: Reference Circuit of USB Interface .....	23
Figure 7: Reference Circuit of Power Supply.....	24
Figure 8: Timing in Primary Mode .....	25
Figure 9: Reference Circuit of PCM Application with Audio Codec .....	26
Figure 10: RI Behaviors .....	27
Figure 11: Timing of Resetting Module .....	28
Figure 12: LED_WWAN# Signal Reference Circuit Diagram .....	29
Figure 13: WAKE# Behavior .....	30
Figure 14: Dimensions of the Receptacle RF Connectors (Unit: mm) .....	33
Figure 15: Mechanicals of U.FL-LP Mating Plugs .....	34
Figure 16: Space Factor of Mating Plugs (Unit: mm).....	34
Figure 17: Mechanical Dimensions of EC200T Mini PCIe.....	40
Figure 18: Standard Dimensions of Mini PCI Express.....	41
Figure 19: Dimensions of the Mini PCI Express Connector (Molex 679105700).....	42

# 1 Introduction

This document defines EC200T Mini PCIe module, and describes its air interfaces and hardware interfaces which are connected with customers' applications.

This document helps customers quickly understand module interface specifications, electrical characteristics, mechanical specifications and other related information of the module. To facilitate application designs, it also includes some reference designs for customers' reference. The document, coupled with application notes and user guides, makes it easy to design and set up wireless applications with EC200T Mini PCIe.



## 1.1. Safety Information

The following safety precautions must be observed during all phases of operation, such as usage, service or repair of any cellular terminal or mobile incorporating EC200T Mini PCIe module. Manufacturers of the cellular terminal should send the following safety information to users and operating personnel, and incorporate these guidelines into all manuals supplied with the product. If not so, Quectel assumes no liability for customers' failure to comply with these precautions.



Full attention must be given to driving at all times in order to reduce the risk of an accident. Using a mobile while driving (even with a handsfree kit) causes distraction and can lead to an accident. Please comply with laws and regulations restricting the use of wireless devices while driving.



Switch off the cellular terminal or mobile before boarding an aircraft. The operation of wireless appliances in an aircraft is forbidden to prevent interference with communication systems. If the device offers an Airplane Mode, then it should be enabled prior to boarding an aircraft. Please consult the airline staff for more restrictions on the use of wireless devices on boarding the aircraft.



Wireless devices may cause interference on sensitive medical equipment, so please be aware of the restrictions on the use of wireless devices when in hospitals, clinics or other healthcare facilities.



The cellular terminal or mobile contains a transmitter and receiver. When it is ON, it receives and transmits radio frequency signals. RF interference can occur if it is used close to TV set, radio, computer or other electric equipment.



In locations with potentially explosive atmospheres, obey all posted signs to turn off wireless devices such as your phone or other cellular terminals. Areas with potentially explosive atmospheres include fuelling areas, below decks on boats, fuel or chemical transfer or storage facilities, areas where the air contains chemicals or particles such as grain, dust or metal powders, etc.

# 2 Product Concept

## 2.1. General Description

EC200T Mini PCIe module provides data connectivity on LTE-FDD, LTE-TDD, HSPA+, HSDPA, HSUPA, WCDMA, EDGE and GPRS networks with PCI Express Mini Card 1.2 standard interface. It supports embedded operating systems such as Linux, Android, etc., and also provides audio, high-speed data transmission for customers' applications.

EC200T Mini PCIe module can be applied in the following fields:

- PDA and Laptop Computer
- Remote Monitor System
- Wireless POS System
- Intelligent Meter Reading System
- Wireless Router and Switch
- Other Wireless Terminal Devices

This chapter generally introduces the following aspects of EC200T Mini PCIe module:

- Product Series
- Key Features
- Functional Diagram

## 2.2. Description of Module Series

EC200T Mini PCIe series contains 2 variants, and are listed in the following table.

**Table 1: Description of EC200T Mini PCIe**

Module Series	Description
EC200T-CN Mini PCIe	Support LTE-FDD (with receive diversity) <sup>1)</sup> : B1/B3/B5/B8 Support LTE-TDD (with receive diversity) <sup>1)</sup> : B34/B38/B39/B40/B41 Support WCDMA: B1/B5/B8 Support GSM: 900/1800MHz Support digital audio
EC200T-EU Mini PCIe	Support LTE-FDD (with receive diversity) <sup>1)</sup> : B1/B3/B5 <sup>2)</sup> /B7/B8/B20 <sup>2)</sup> /B28 Support LTE-TDD (with receive diversity) <sup>1)</sup> : B38/B40/B41 Support WCDMA: B1/B5 <sup>2)</sup> /B8 Support GSM: 900/1800MHz Support digital audio

### NOTES

- <sup>1)</sup> Rx-diversity is optional.
- <sup>2)</sup> B5 and B20 cannot be simultaneously supported on EC200T-EU Mini PCIe, and this is an either-or option.

## 2.3. Key Features

The following table describes the detailed features of EC200T Mini PCIe module.

**Table 2: Key Features of EC200T Mini PCIe**

Features	Description
Function Interface	PCI Express Mini Card 1.2 Standard Interface
Power Supply	Supply voltage: 3.0V~3.6V Typical supply voltage: 3.3V
Transmitting Power	Class 4 (33dBm±2dB) for EGSM900 Class 1 (30dBm±2dB) for DCS1800 Class E2 (27dBm±3dB) for EGSM900 8-PSK

	<p>Class E2 (26dBm±3dB) for DCS1800 8-PSK          Class 3 (24dBm+1/-3dB) for WCDMA bands          Class 3 (23dBm±2dB) for LTE-FDD bands          Class 3 (23dBm±2dB) for LTE-TDD bands</p>
LTE Features	<p>Support up to 3GPP R8 non-CA Cat 4 FDD and TDD          Support 1.4/3/5/10/15/20MHz RF bandwidth          Support MIMO in DL direction          FDD: Max 150Mbps (DL), Max 50Mbps (UL)          TDD: Max 130Mbps (DL), Max 30Mbps (UL)</p>
UMTS Features	<p>Support 3GPP R7 HSPA+, HSDPA, HSUPA and WCDMA          Support QPSK and 16-QAM modulation          HSDPA+: Max 21Mbps (DL)          HSUPA: Max 5.76Mbps (UL)          WCDMA: Max 384Kbps (UL), Max 384Kbps (DL)</p>
GSM Features	<p><b>GPRS:</b>          Support GPRS multi-slot class 12          Coding scheme: CS-1, CS-2, CS-3 and CS-4          Max 85.6Kbps (DL), Max 85.6Kbps (UL)  <b>EDGE:</b>          Support EDGE multi-slot class 12          Support GMSK and 8-PSK for different MCS (Modulation and Coding Scheme)          Downlink coding schemes: CS 1-4, MCS 1-9          Uplink coding schemes: CS 1-4, MCS 1-9          Max 236.8Kbps (DL), Max 236.8Kbps (UL)</p>
Internet Protocol Features	<p>Support protocols TCP/UDP/PPP/NTP/NITZ/FTP/HTTP/PING/CMUX/HTTPS/FTPS/SSL/FILE/MQTT/MMS*/SMTP*/SMTPS*          Support PAP (Password Authentication Protocol) and CHAP (Challenge Handshake Authentication Protocol) protocols which are usually used for PPP connection</p>
SMS	<p>Text and PDU modes          Point-to-point MO and MT          SMS cell broadcast          SMS storage: (U)SIM card currently</p>
(U)SIM Interface	<p>Support USIM/SIM card: 1.8V, 3.0V</p>
UART Interface	<p>Main UART:          Support RTS and CTS hardware flow control          Baud rate can reach up to 230400bps, 115200bps by default          Used for AT command communication and data transmission</p>
Audio Features	<p>Support one digital audio interface: PCM interface          GSM: HR/FR/EFR/AMR/AMR-WB          WCDMA: AMR/AMR-WB          Support echo cancellation and noise suppression</p>

PCM Interface	Used for audio function with external codec Support 16-bit linear data format Support short frame synchronization Support master and slave modes
USB Interface	Compliant with USB 2.0 specification (slave only); the data transfer rate can reach up to 480Mbps Used for AT command communication, data transmission, software debugging, and firmware upgrade Support USB serial drivers for: Windows 7/8/8.1/10, Linux 2.6~5.4, Android 4.x/5.x/6.x/7.x/8.x/9.x, etc.
Antenna Connectors	Include main antenna and diversity antenna connectors
Rx-diversity (Optional)	Support LTE Rx-diversity
AT Commands	Compliant with 3GPP TS 27.007, 27.005 and Quectel enhanced AT commands
Physical Characteristics	Size: (51.0±0.15)mm × (30.0±0.15)mm × (4.9±0.2)mm Weight: approx. 9.7g
Temperature Range	Operation temperature range: -35°C to +75°C <sup>1)</sup> Extended temperature range: -40°C to +80°C <sup>2)</sup> Storage temperature range: -40°C to +90°C
Firmware Upgrade	Upgrade via USB interface or FOTA
RoHS	All hardware components are fully compliant with EU RoHS directive

## NOTES

- <sup>1)</sup> Within operation temperature range, the module is 3GPP compliant.
- <sup>2)</sup> Within extended temperature range, the module remains the ability to establish and maintain a voice, SMS, data transmission, etc. There is no unrecoverable malfunction. There are also no effects on radio spectrum and no harm to radio network. Only one or more parameters like P<sub>out</sub> might reduce in their value and exceed the specified tolerances. When the temperature returns to normal operation temperature levels, the module will meet 3GPP specifications again.
- “\*” means under development.

## 2.4. Functional Diagram

The following figure shows the block diagram of EC200T Mini PCIe.

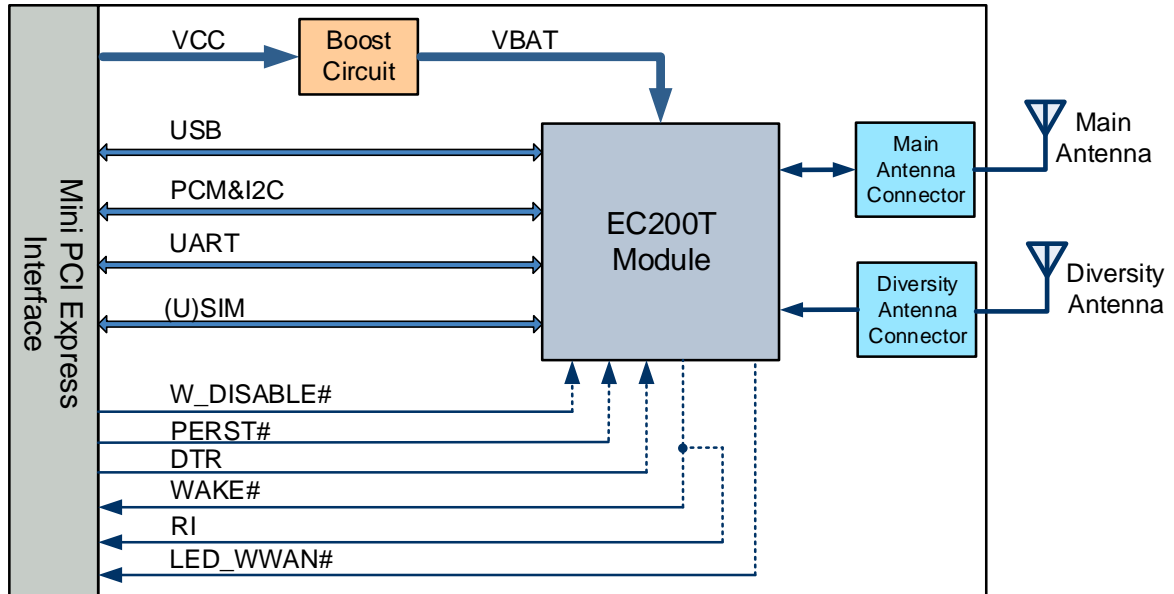


Figure 1: Functional Diagram

# 3 Application Interfaces

The physical connections and signal levels of EC200T Mini PCIe comply with PCI Express Mini Card Electromechanical Specification. This chapter mainly describes the definition and application of the following interfaces/pins of EC200T Mini PCIe.

- Power supply
- (U)SIM interface
- USB interface
- UART interface
- PCM and I2C interfaces
- Control and indication pins

## 3.1. Pin Assignment

The following figure shows the pin assignment of EC200T Mini PCIe module. The top side contains EC200T module and antenna connectors.

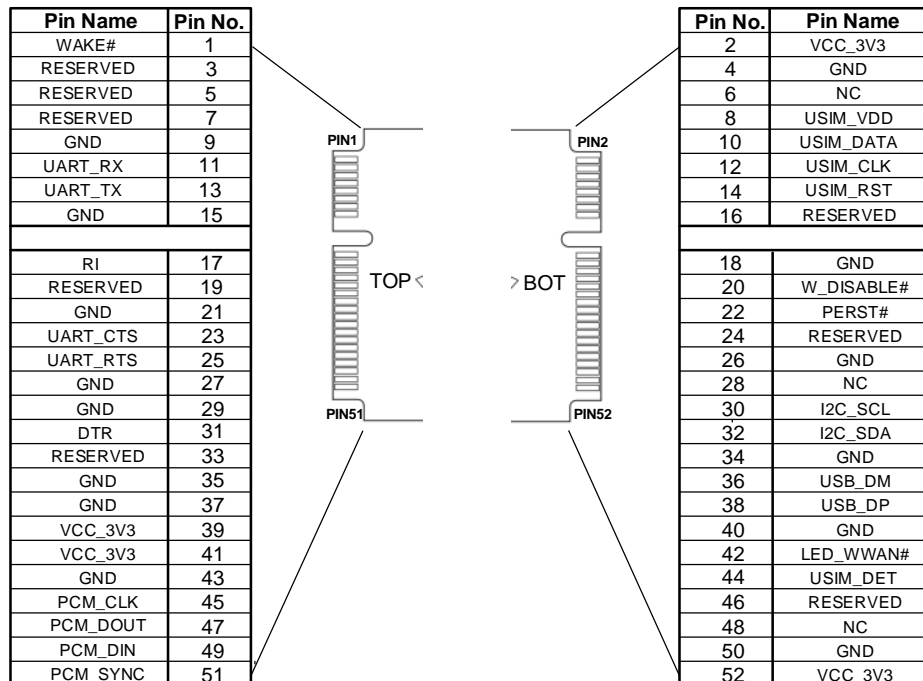


Figure 2: Pin Assignment

## 3.2. Pin Description

The following tables show the pin definition and description of the 52 pins on EC200T Mini PCIe.

**Table 3: I/O Parameters Definition**

Type	Description
DI	Digital Input
DO	Digital Output
IO	Bidirectional
OC	Open Collector
PI	Power Input
PO	Power Output
OD	Open drain

**Table 4: Pin Description**

Pin No.	Mini PCI Express Standard Name	EC200T Mini PCIe Pin Name	I/O	Description	Comment
1	WAKE#	WAKE#	OC	Output signal used to wake up the host.	
2	3.3Vaux	VCC_3V3	PI	3.0V~3.6V, typically 3.3V DC supply	
3	COEX1	RESERVED		Reserved	
4	GND	GND		Mini card ground	
5	COEX2	RESERVED		Reserved	
6	1.5V	NC		Not connected	
7	CLKREQ#	RESERVED		Reserved	
8	UIM_PWR	USIM_VDD	PO	Power supply for the (U)SIM card	
9	GND	GND		Mini card ground	



10	UIM_DATA	USIM_DATA	IO	Data signal of (U)SIM card	
11	REFCLK-	UART_RX	DI	UART receive data	Connect to DTE's TX.
12	UIM_CLK	USIM_CLK	DO	Clock signal of (U)SIM card	
13	REFCLK+	UART_TX	DO	UART transmit data	Connect to DTE's RX.
14	UIM_RESET	USIM_RST	DO	Reset signal of (U)SIM card	
15	GND	GND		Mini card ground	
16	UIM_VPP	RESERVED		Reserved	
17	RESERVED	RI	DO	Ring indication	
18	GND	GND		Mini card ground	
19	RESERVED	RESERVED		Reserved	
20	W_DISABLE#	W_DISABLE#	DI	Airplane mode control	Pulled up by default. Active low.
21	GND	GND		Mini card ground	
22	PERST#	PERST#	DI	Fundamental reset signal	Pulled up by default. Active low.
23	PERn0	UART_CTS	DI	UART clear to send	Connect to DTE's RTS.
24	3.3Vaux	RESERVED		Reserved	
25	PERp0	UART_RTS	DO	UART request to send	Connect to DTE's CTS.
26	GND	GND		Mini card ground	
27	GND	GND		Mini card ground	
28	1.5V	NC		Not connected	
29	GND	GND		Mini card ground	
30	SMB_CLK	I2C_SCL	OD	I2C serial clock	Require external pull-up to 1.8V.

31	PETn0	DTR	DI	Sleep mode control	
32	SMB_DATA	I2C_SDA	OD	I2C serial data	Require external pull-up to 1.8V.
33	PETp0	RESERVED		Reserved	
34	GND	GND		Mini card ground	
35	GND	GND		Mini card ground	
36	USB_D-	USB_DM	IO	USB differential data (-)	Require differential impedance of 90Ω.
37	GND	GND		Mini card ground	
38	USB_D+	USB_DP	IO	USB differential data (+)	Require differential impedance of 90Ω.
39	3.3Vaux	VCC_3V3	PI	3.0V~3.6V, typically 3.3V DC supply	
40	GND	GND		Mini card ground	
41	3.3Vaux	VCC_3V3	PI	3.0V~3.6V, typically 3.3V DC supply	
42	LED_WWAN#	LED_WWAN#	OC	LED signal for indicating the network status of the module	Active low
43	GND	GND		Mini card ground	
44	LED_WLAN#	USIM_DET	DI	(U)SIM card insertion detection	
45	RESERVED	PCM_CLK	IO	PCM clock signal	
46	LED_WPAN#	RESERVED		Reserved	
47	RESERVED	PCM_DOUT	DO	PCM data output	
48	1.5V	NC		Not connected	
49	RESERVED	PCM_DIN	DI	PCM data input	
50	GND	GND		Mini card ground	

51	RESERVED	PCM_SYNC	IO	PCM frame synchronization
52	3.3Vaux	VCC_3V3	PI	3.0V~3.6V, typically 3.3V DC supply

**NOTE**

Keep all NC, reserved and unused pins unconnected.

### 3.3. Operating Modes

The following table briefly outlines the operating modes to be mentioned in the following chapters.

**Table 5: Overview of Operating Modes**

Mode	Details
Normal Operation	Idle Software is active. The module has registered on the network, and it is ready to send and receive data.
	Talk/Data Network connection is ongoing. In this mode, the power consumption is decided by network setting and data transfer rate.
Minimum Functionality Mode	<b>AT+CFUN=0</b> command can set the module to a minimum functionality mode without removing the power supply. In this case, both RF function and (U)SIM card will be invalid.
Airplane Mode	<b>AT+CFUN=4</b> command or <b>W_DISABLE#</b> pin can set the module to airplane mode. In this case, RF function will be invalid.
Sleep Mode	In this mode, the current consumption of the module will be reduced to the minimal level. In this mode, the module can still receive paging message, SMS, voice call and TCP/UDP data from the network normally.

### 3.4. Power Saving

#### 3.4.1. Sleep Mode

EC200T Mini PCIe is able to reduce its current consumption to a minimum value in sleep mode. There are three preconditions must be met to make the module enter sleep mode.

- Execute **AT+QSCLK=1** to enable sleep mode.
- Ensure the DTR is kept at high level or be kept open.

- The host's USB bus, which is connected with the module's USB interface, enters suspend state.

### 3.4.2. Airplane Mode

When the module enters airplane mode, the RF function will be disabled, and all AT commands related to it will be inaccessible. For more details, please refer to **Chapter 3.10.3**.

## 3.5. Power Supply

The following table shows pin definition of VCC\_3V3 pins and ground pins.

**Table 6: Definition of VCC\_3V3 and GND Pins**

Pin Name	Pin No.	I/O	Power Domain	Description
VCC_3V3	2, 39, 41, 52	PI	3.0V~3.6V	Typically 3.3V DC supply
GND	4, 9, 15, 18, 21, 26, 27, 29, 34, 35, 37, 40, 43, 50			Mini card ground

The typical supply voltage of EC200T Mini PCIe is 3.3V. In the 2G network, the input peak current may reach 2.7A during the transmitting time. Therefore, the power supply must be able to provide a rated output current of 2.7A at least, and a bypass capacitor of no less than 470μF with low ESR should be used to prevent the voltage from dropping. If the switching power supply is used to supply power to the module, the power device and power supply routing traces of the switching power supply should be kept away from the antennas as much as possible to prevent EMI interference.

The following figure shows a reference design of power supply where R2 and R3 are 1% tolerance resistors and C3 is a low-ESR capacitor.

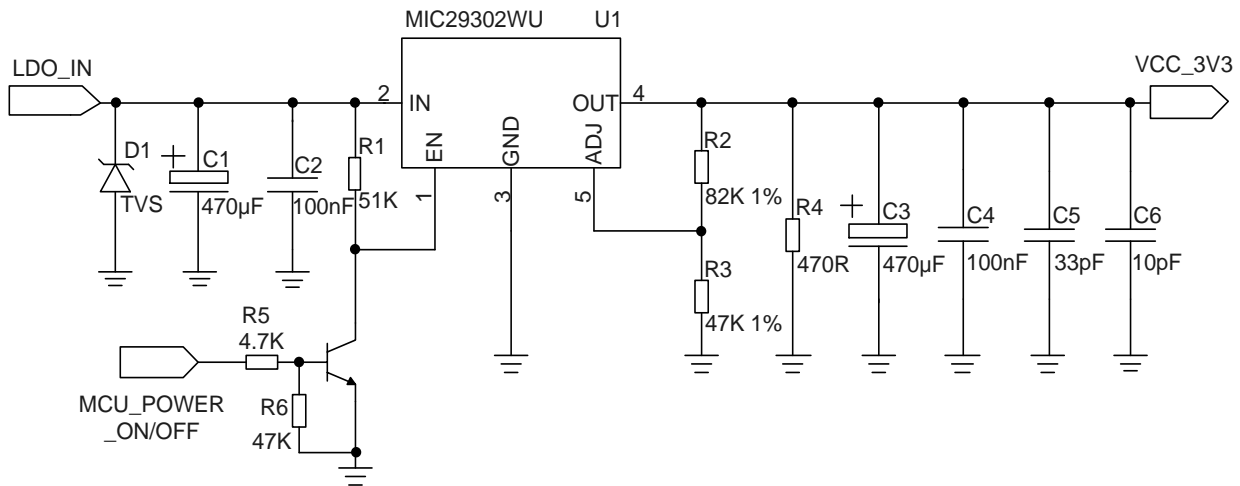


Figure 3: Reference Circuit of Power Supply

### 3.6. (U)SIM Interface

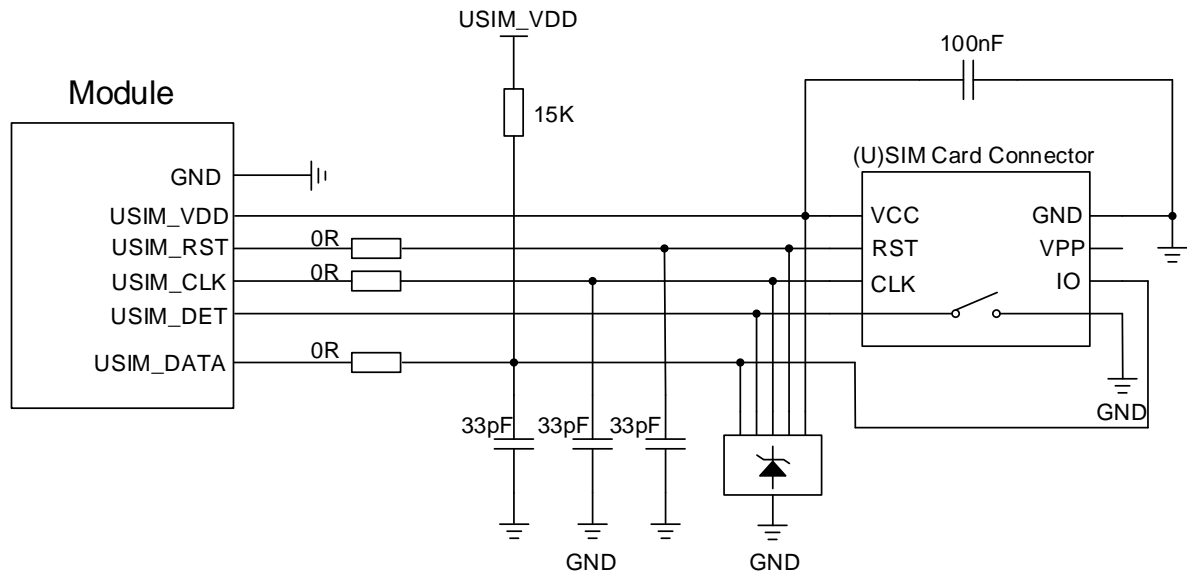
EC200T Mini PCIe's (U)SIM interface circuitry meets ETSI and IMT-2000 requirements. Both 1.8V and 3.0V (U)SIM cards are supported. The following table shows the pin definition of (U)SIM interface.

Table 7: Pin Definition of (U)SIM Interface

Pin Name	Pin No.	I/O	Power Domain	Description
USIM_VDD	8	PO	1.8V/3.0V	Power supply for (U)SIM card
USIM_DATA	10	IO	1.8V/3.0V	Data signal of (U)SIM card
USIM_CLK	12	DO	1.8V/3.0V	Clock signal of (U)SIM card
USIM_RST	14	DO	1.8V/3.0V	Reset signal of (U)SIM card
USIM_DET	44	DI	1.8V	(U)SIM card insertion detection

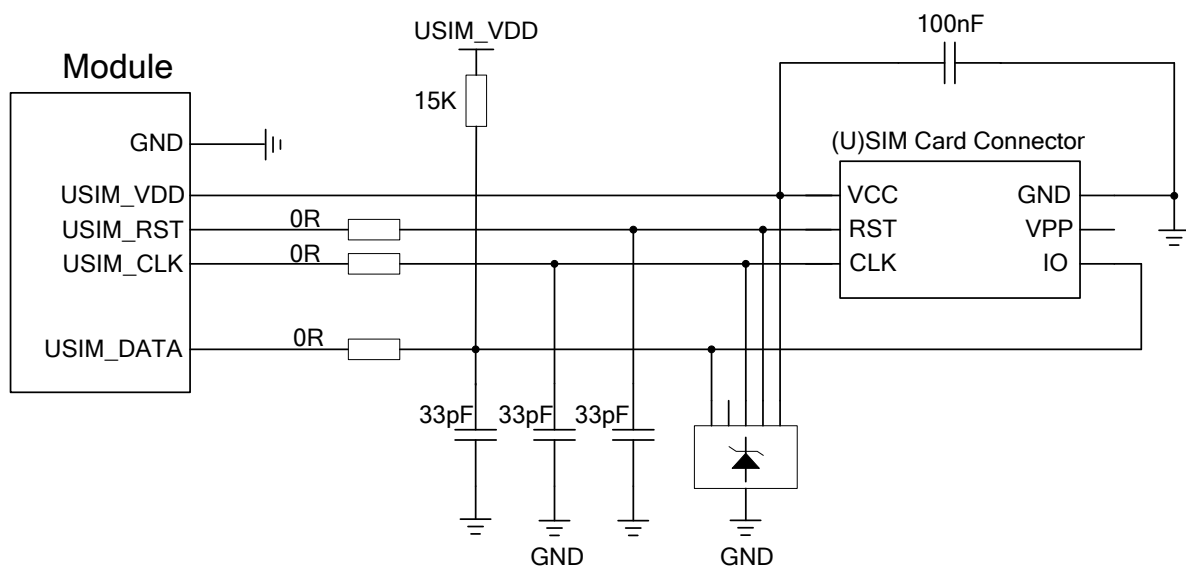
EC200T Mini PCIe supports (U)SIM card hot-plug via the USIM\_DET pin. The function supports low level and high level detections. By default, It is disabled, and can be configured via **AT+QSIMDET** command. Please refer to **document [2]** for details about the command.

The following figure shows a reference design for (U)SIM interface with an 8-pin (U)SIM card connector.



**Figure 4: Reference Circuit of (U)SIM Interface with an 8-pin (U)SIM Card Connector**

If (U)SIM card detection function is not needed, please keep USIM\_DET unconnected. A reference circuit for (U)SIM interface with a 6-pin (U)SIM card connector is illustrated in the following figure.



**Figure 5: Reference Circuit of (U)SIM Interface with a 6-pin (U)SIM Card Connector**

In order to enhance the reliability and availability of the (U)SIM card in customers' applications, please follow the criteria below in (U)SIM circuit design:

- Keep placement of (U)SIM card connector to the module as close as possible. Keep the trace length as less than 200mm as possible.
- Keep (U)SIM card signals away from RF and power supply traces.
- To avoid cross-talk between USIM\_DATA and USIM\_CLK, keep them away from each other and shield them with surrounded ground.
- In order to offer good ESD protection, it is recommended to add a TVS diode with parasitic capacitance not exceeding 15pF.
- The 0Ω resistors should be added in series between the module and the (U)SIM card connector so as to facilitate debugging. The 33pF capacitors are used for filtering interference of EGSM900. Please note that the (U)SIM peripheral circuit should be close to the (U)SIM card connector.
- The pull-up resistor on USIM\_DATA line can improve anti-jamming capability when long layout trace and sensitive occasion are applied, and should be placed close to the (U)SIM card connector.

### 3.7. USB Interface

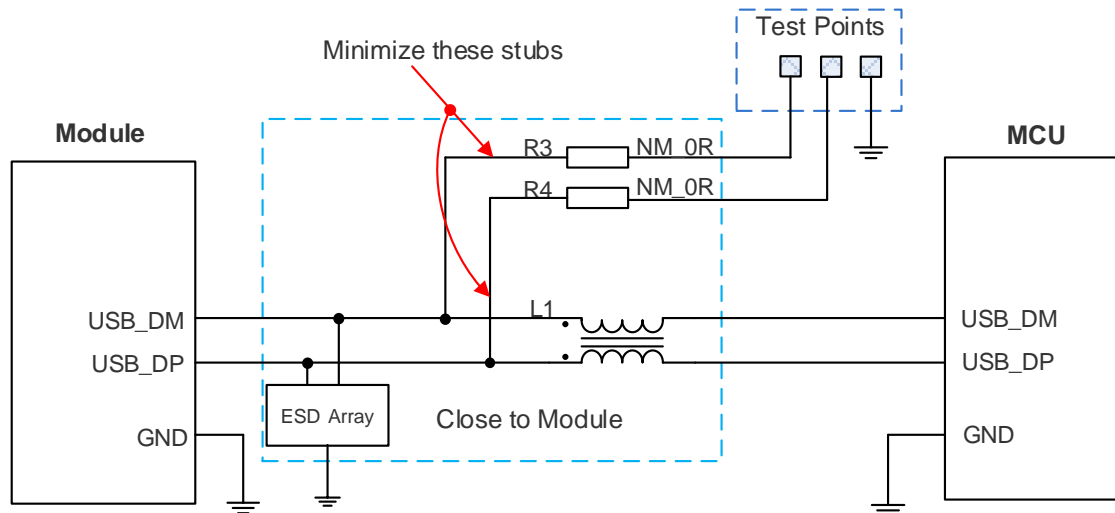
EC200T Mini PCIe provides one integrated Universal Serial Bus (USB) interface which complies with USB 2.0 specification. It can only be used as a slave device. Meanwhile, it supports high speed (480Mbps) mode and full speed (12Mbps) mode. The USB interface is used for AT command communication, data transmission, software debugging and firmware upgrade.

The following table shows the pin definition of USB interface.

**Table 8: Pin Definition of USB Interface**

Pin Name	Pin No.	I/O	Description	Comment
USB_DM	36	IO	USB differential data (-)	Require differential impedance of 90Ω
USB_DP	38	IO	USB differential data (+)	Require differential impedance of 90Ω

The following figure shows a reference circuit of USB interface.



**Figure 6: Reference Circuit of USB Interface**

A common mode choke L1 is recommended to be added in series between the module and customer's MCU in order to suppress EMI spurious transmission. Meanwhile, the 0Ω resistors (R3 and R4) should be added in series between the module and the test points so as to facilitate debugging, and the resistors are not mounted by default. In order to ensure the integrity of USB data line signal, L1/R3/R4 components must be placed close to the module, and also these resistors should be placed close to each other. The extra stubs of trace must be as short as possible.

The following principles should be complied with when design the USB interface, so as to meet USB 2.0 specification.

- It is important to route the USB signal traces as differential pairs with total grounding. The impedance of USB differential trace is 90Ω.
- Do not route signal traces under crystals, oscillators, magnetic devices and RF signal traces. It is important to route the USB differential traces in inner layer with ground shielding on not only upper and lower layers but also right and left sides.
- Special attention should be paid to the selection of ESD device on the USB data line. Its parasitic capacitance should not exceed 2pF and should be placed as close as possible to the USB interface.

### 3.8. UART Interface

The following table shows the pin definition of the main UART interface.

The main UART interface supports 9600bps, 19200bps, 38400bps, 57600bps, 115200bps and 230400bps baud rates, and the default is 115200bps. This interface supports RTS and CTS hardware flow control, and be used for AT command communication and data transmission.

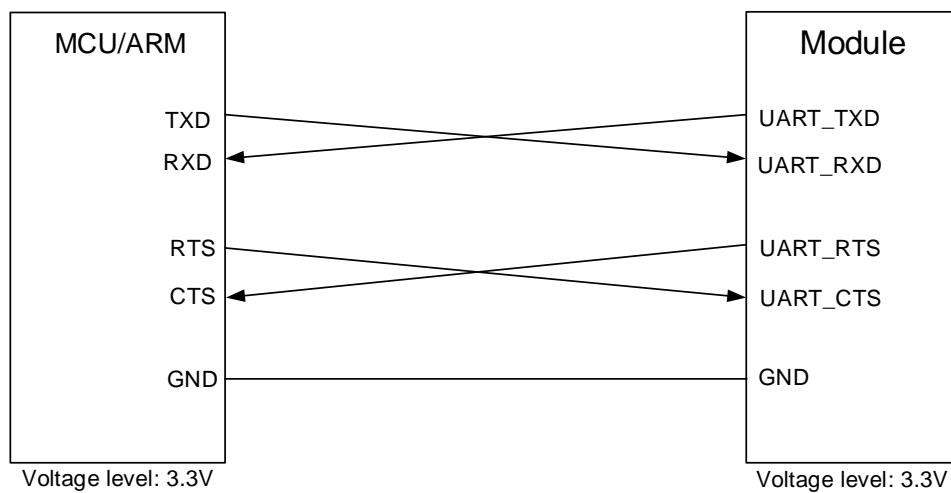


The following table shows the pin definition of the main UART interface.

**Table 9: Pin Definition of Main UART Interface**

Pin Name	Pin No.	I/O	Power Domain	Description
UART_RX	11	DI	3.3V	UART receive data
UART_TX	13	DO	3.3V	UART transmit data
UART_CTS	23	DI	3.3V	UART clear to send
UART_RTS	25	DO	3.3V	UART request to send

The signal level of main UART interface is 3.3V. When connecting to the peripheral MCU/RAM, customers need to pay attention to the signal direction. The reference circuit is as follows:



**Figure 7: Reference Circuit of Power Supply**

### 3.9. PCM and I2C Interfaces

EC200T Mini PCIe provides one Pulse Code Modulation (PCM) digital interface and one I2C interface.

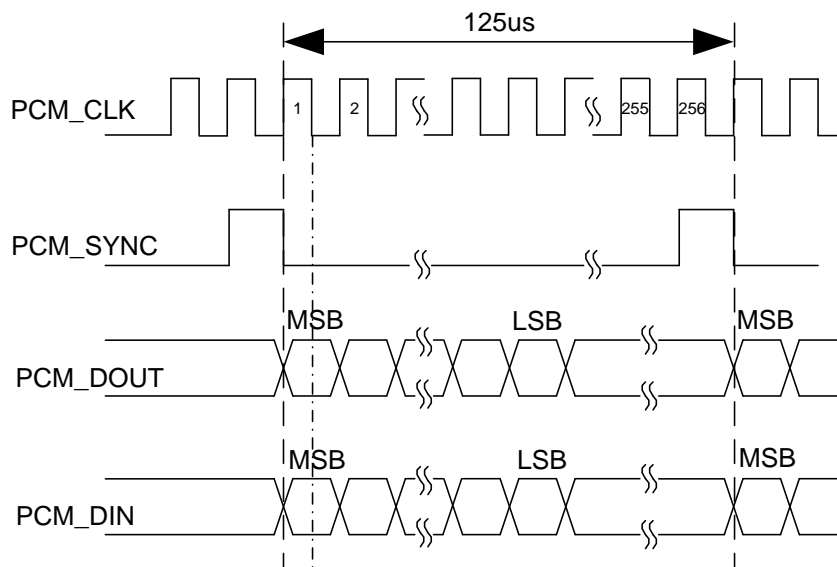
The following table shows the pin definition of PCM and I2C interfaces that can be applied in audio codec design.

**Table 10: Pin Definition of PCM and I2C Interfaces**

Pin Name	Pin No.	I/O	Power Domain	Description
PCM_CLK	45	IO	1.8V	PCM clock signal
PCM_DOUT	47	DO	1.8V	PCM data output
PCM_DIN	49	DI	1.8V	PCM data input
PCM_SYNC	51	IO	1.8V	PCM frame synchronization
I2C_SCL	30	OD	1.8V	I2C serial clock. Require external pull-up to 1.8V.
I2C_SDA	32	OD	1.8V	I2C serial data. Require external pull-up to 1.8V.

EC200T Mini PCIe provides one PCM digital interface, which supports 16-bit linear data format and the primary mode (short frame synchronization, works as either master or slave).

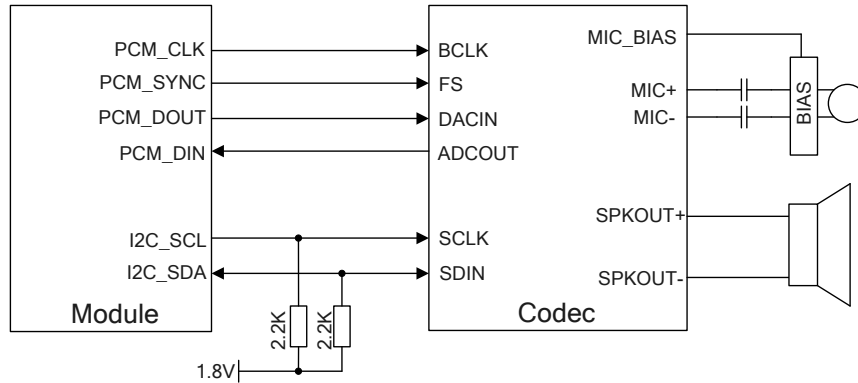
In primary mode, the data is sampled on the falling edge of the PCM\_CLK and transmitted on the rising edge of the PCM\_SYNC. The PCM\_SYNC falling edge represents the MSB. In this mode, the PCM interface supports 256kHz, 512kHz, 1024kHz or 2048kHz PCM\_CLK at 8kHz PCM\_SYNC, and also supports 4096kHz PCM\_CLK at 16kHz PCM\_SYNC. The following figure shows the timing relationship in primary mode with 8kHz PCM\_SYNC and 2048kHz PCM\_CLK.



**Figure 8: Timing in Primary Mode**

Clock and mode can be configured by AT command, and the default configuration is master mode using short frame synchronization format with 2048kHz PCM\_CLK and 8kHz PCM\_SYNC.

The following figure shows a reference design of PCM interface with an external codec IC.



**Figure 9: Reference Circuit of PCM Application with Audio Codec**

**NOTE**

It is recommended to reserve an RC (R=22Ω, C=22pF) circuit on the PCM signal lines, especially for PCM\_CLK.

### 3.10. Control and Indication Signals

The following table shows the pin definition of control and indication signals.

**Table 11: Pin Definition of Control and Indication Signals**

Pin Name	Pin No.	I/O	Power Domain	Description
RI	17	DO	3.3V	Output signal used to wake up the host
DTR	31	DI	3.3V	Sleep mode control
W_DISABLE#	20	DI	3.3V	Airplane mode control; Pulled up by default; Active low.
PERST#	22	DI	3.3V	Fundamental reset signal; Active low.
LED_WWAN#	42	OC		LED signal for indicating the network

			status of the module; Active low.
WAKE#	1	OC	Output signal to wake up the host.

### 3.10.1. RI Signal

The RI signal can be used to wake up the host. When a URC returns, there will be the following behaviors on the RI pin after executing **AT+QCFG="risignalttype", "physical"**.

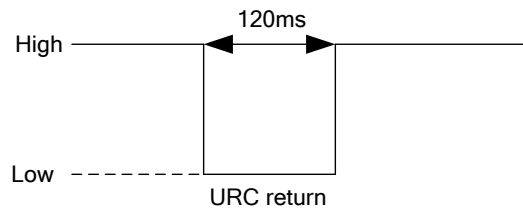


Figure 10: RI Behaviors

### 3.10.2. DTR Signal

The DTR signal is used for sleep mode control. It is pulled up by default. When module is in sleep mode, driving it low can wake up the module. For more details about the preconditions for module to enter sleep mode, please refer to **Chapter 3.4.1**.

### 3.10.3. W\_DISABLE# Signal

EC200T Mini PCIe provides a W\_DISABLE# signal to disable or enable the RF function. The W\_DISABLE# pin is pulled up by default. Its control function for airplane mode is disabled by default, and **AT+QCFG="airplanecontrol",1** can be used to enable the function. Driving it low can make the module enter airplane mode.

The RF function can also be enabled or disabled through AT commands **AT+CFUN**, and the details are as follows.

Table 12: Airplane Mode Controlled by Hardware Method

W_DISABLE#	RF Function Status	Module Operation Mode
High level	RF enabled	Normal mode
Low level	RF disabled	Airplane mode

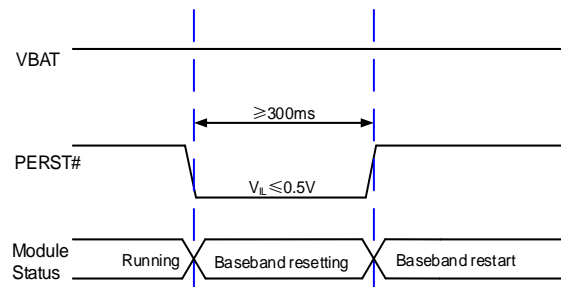
Software method can be controlled by **AT+CFUN**, and the details are as follows.

**Table 13: Airplane Mode Controlled by Software Method**

AT+CFUN=?	RF Function Status	Module Operation Mode
0	RF and (U)SIM disabled	Minimum functionality mode
1	RF enabled	Normal mode
4	RF disabled	Airplane mode

### 3.10.4. PERST# Signal

The PERST# signal can be used to force a hardware reset on the card. The module can be reset by driving the PERST# signal low for at least 300ms and then releasing it. The PERST# signal is sensitive to interference. The traces should be as short as possible and be surrounded with ground. The reset scenario is illustrated in the following figure.



**Figure 11: Timing of Resetting Module**

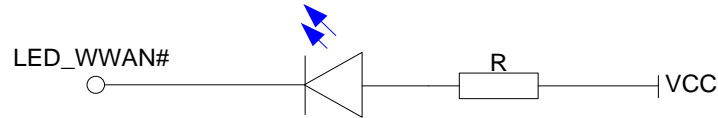
#### NOTES

1. Please ensure that there is no large capacitance with the max value exceeding 10nF on PERST# pin.
2. PEREST# only resets the internal baseband chip of the module and does not reset the power management chip.

### 3.10.5. LED\_WWAN# Signal

The LED\_WWAN# signal of EC200T Mini PCIe is used to indicate the network status of the module, and can absorb a current up to 40mA. According to the following circuit, in order to reduce the current of the LED, a resistor must be placed in series with the LED.

The LED is emitting light when the LED\_WWAN# output signal is low.



**Figure 12: LED\_WWAN# Signal Reference Circuit Diagram**

There are two indication modes for LED\_WWAN# signal to indicate network status, which can be switched through following AT commands:

- **AT+QCFG="ledmode",0 (Default setting)**
- **AT+QCFG="ledmode",2**

The following tables show the detailed network status indications of the LED\_WWAN# signal.

**Table 14: Indications of Network Status (AT+QCFG="ledmode",0, Default Setting)**

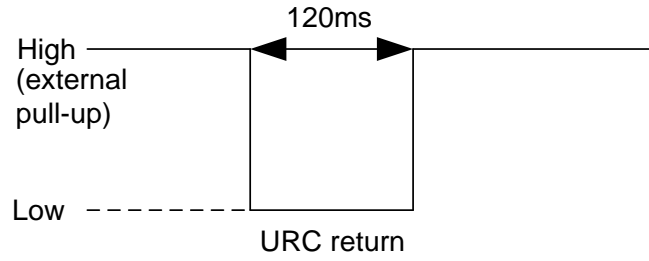
Pin Status	Description
Flicker slowly (200ms Low/1800ms High)	Network searching
Flicker slowly (1800ms Low/200ms High)	Idle
Flicker quickly (125ms Low/125ms High)	Data transfer is ongoing
Always Low	Voice calling

**Table 15: Indications of Network Status (AT+QCFG="ledmode",2)**

Pin Status	Description
Low Level (Light ON)	Registered on network successfully
High Impedance (Light OFF)	<ul style="list-style-type: none"> <li>● No network coverage or not registered</li> <li>● W_DISABLE# signal is at low level. (Disable RF)</li> <li>● <b>AT+CFUN=0, AT+CFUN=4</b></li> </ul>

### 3.10.6. WAKE# Signal

The WAKE# signal is an open collector signal which is similar to RI signal, but a host pull-up resistor and **AT+QCFG="risignalttype", "physical"** command are required. When a URC returns, a 120ms low level pulse will be outputted. The state of WAKE# signal is shown as below.



**Figure 13: WAKE# Behavior**

# 4 Antenna Connection

## 4.1. Antenna Connectors

EC200T Mini PCIe is mounted with two antenna connectors for external antenna connection: a main antenna connector and an Rx-diversity antenna connector. And Rx-diversity function is enabled by default. The impedance of the antenna connectors is 50Ω.

### 4.1.1. Operating Frequency

Table 16: EC200T-CN Operating Frequencies

3GPP Band	Transmit	Receive	Unit
EGSM900	880~915	925~960	MHz
DCS1800	1710~1785	1805~1880	MHz
WCDMA B1	1920~1980	2110~2170	MHz
WCDMA B5	824~849	869~894	MHz
WCDMA B8	880~915	925~960	MHz
LTE-FDD B1	1920~1980	2110~2170	MHz
LTE-FDD B3	1710~1785	1805~1880	MHz
LTE-FDD B5	824~849	869~894	MHz
LTE-FDD B8	880~915	925~960	MHz
LTE-TDD B34	2010~2025	2010~2025	MHz
LTE-TDD B38	2570~2620	2570~2620	MHz
LTE-TDD B39	1880~1920	1880~1920	MHz
LTE-TDD B40	2300~2400	2300~2400	MHz



LTE-TDD B41	2555~2655	2555~2655	MHz
-------------	-----------	-----------	-----

**Table 17: EC200T-EU Operating Frequencies**

3GPP Band	Transmit	Receive	Unit
EGSM900	880~915	925~960	MHz
DCS1800	1710~1785	1805~1880	MHz
WCDMA B1	1920~1980	2110~2170	MHz
WCDMA B5	824~849	869~894	MHz
WCDMA B8	880~915	925~960	MHz
LTE-FDD B1	1920~1980	2110~2170	MHz
LTE-FDD B3	1710~1785	1805~1880	MHz
LTE-FDD B5 <sup>1)</sup>	824~849	869~894	MHz
LTE-FDD B7	2500~2570	2620~2690	MHz
LTE-FDD B8	880~915	925~960	MHz
LTE-FDD B20 <sup>1)</sup>	832~862	791~821	MHz
LTE-FDD B28	703~748	758~803	MHz
LTE-TDD B38	2570~2620	2570~2620	MHz
LTE-TDD B40	2300~2400	2300~2400	MHz
LTE-TDD B41	2555~2655	2555~2655	MHz

**NOTE**

<sup>1)</sup> B5 and B20 cannot be simultaneously supported on EC200T-EU Mini PCIe, and this is an either-or option.

## 4.2. Antenna Requirements

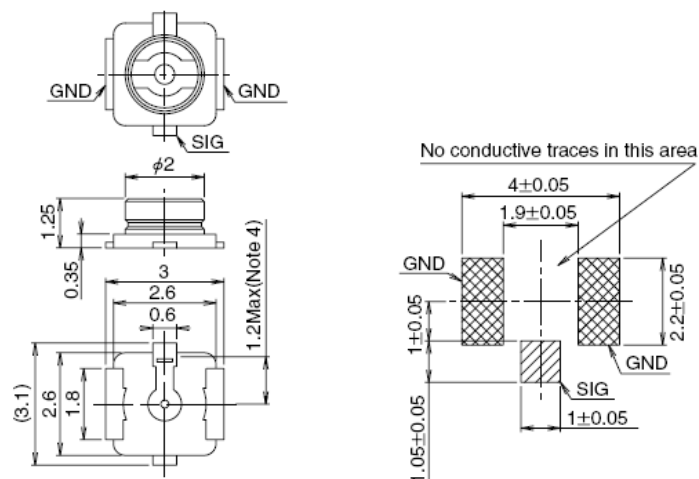
The following table shows the requirements on main antenna and Rx-diversity antenna.

**Table 18: Antenna Requirements**

Type	Requirements
GSM/UMTS/LTE	VSWR: $\leq 2$
	Efficiency: $> 30\%$
	Max input power: 50W
	Input impedance: $50\Omega$
	Cable insertion loss: $< 1\text{dB}$ (EGSM900, WCDMA B5/B8, LTE-FDD B5/B8/B20/B28)
	Cable insertion loss: $< 1.5\text{dB}$ (DCS1800, WCDMA B1, LTE B1/B3/B34/B39)
	Cable insertion loss: $< 2\text{dB}$ (LTE-FDD B7, LTE-TDD B38/B40/B41)

## 4.3. Recommended Mating Plugs for Antenna Connection

EC200T Mini PCIe is mounted with RF connectors (receptacles) for convenient antenna connection. The dimensions of the antenna connectors are shown as below.



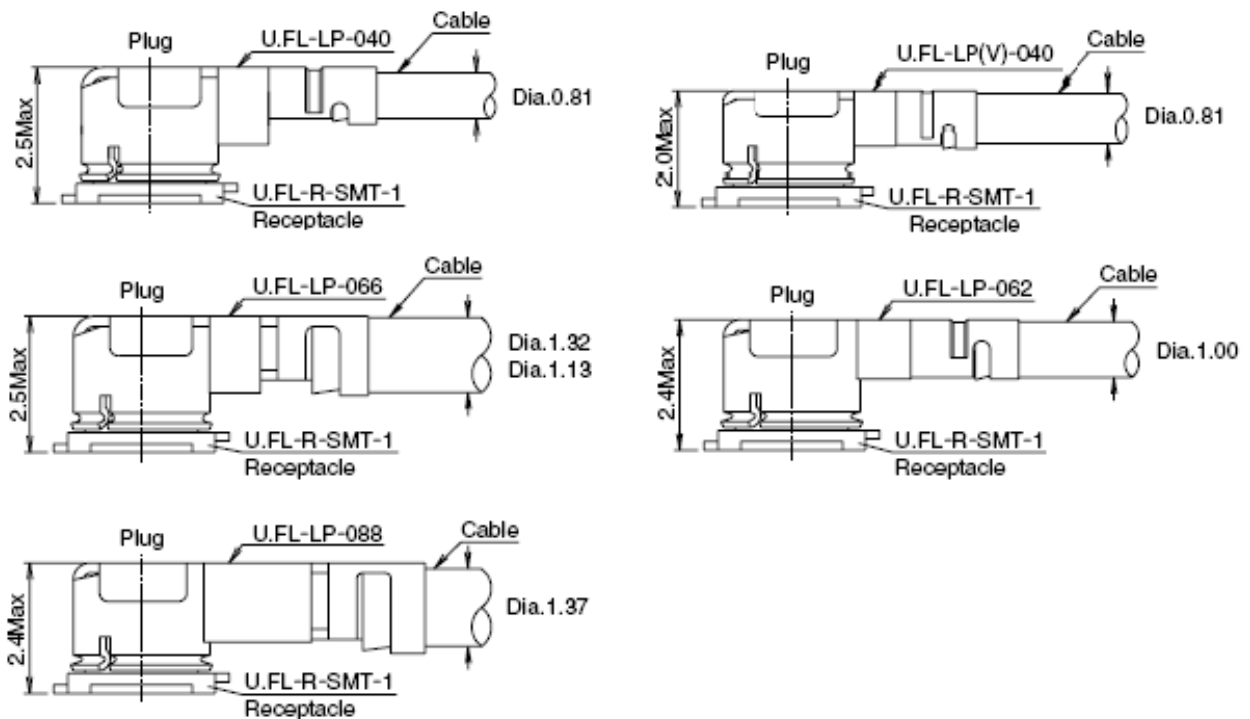
**Figure 14: Dimensions of the Receptacle RF Connectors (Unit: mm)**

U.FL-LP mating plugs listed in the following figure can be used to match the receptacles.

Part No.	U.FL-LP-040	U.FL-LP-066	U.FL-LP(V)-040	U.FL-LP-062	U.FL-LP-088
Mated Height	2.5mm Max. (2.4mm Nom.)	2.5mm Max. (2.4mm Nom.)	2.0mm Max. (1.9mm Nom.)	2.4mm Max. (2.3mm Nom.)	2.4mm Max. (2.3mm Nom.)
Applicable cable	Dia. 0.81mm Coaxial cable	Dia. 1.13mm and Dia. 1.32mm Coaxial cable	Dia. 0.81mm Coaxial cable	Dia. 1mm Coaxial cable	Dia. 1.37mm Coaxial cable
Weight (mg)	53.7	59.1	34.8	45.5	71.7
RoHS	YES				

**Figure 15: Mechanicals of U.FL-LP Mating Plugs**

The following figure describes the space factor of mating plugs.



**Figure 16: Space Factor of Mating Plugs (Unit: mm)**

For more details of the recommended mating plugs, please visit <http://www.hirose.com>.

# 5 Electrical, Reliability and Radio Characteristics

## 5.1. General Description

This chapter mainly describes the following electrical and radio characteristics of EC200T Mini PCIe:

- Power supply requirements
- I/O requirements
- RF characteristics
- ESD characteristics

## 5.2. Power Supply Requirements

The input voltage of EC200T Mini PCIe is 3.0V~3.6V, as specified by *PCI Express Mini CEM Specifications 1.2*. The following table shows the power supply requirements of EC200T Mini PCIe.

**Table 19: Power Supply Requirements**

Parameter	Description	Min.	Typ.	Max.	Unit
VCC_3V3	Power Supply	3.0	3.3	3.6	V

### 5.3. I/O Requirements

The following table shows the I/O requirements of EC200T Mini PCIe.

**Table 20: I/O Requirements**

Parameter	Description	Min.	Max.	Unit
V <sub>IH</sub>	Input High Voltage	0.7 × VCC_3V3	VCC_3V3 + 0.3	V
V <sub>IL</sub>	Input Low Voltage	-0.3	0.3 × VCC_3V3	V
V <sub>OH</sub>	Output High Voltage	VCC_3V3 - 0.5	VCC_3V3	V
V <sub>OL</sub>	Output Low Voltage	0	0.4	V

#### NOTES

1. The PCM and I2C interfaces belong to 1.8V power domain and other I/O interfaces belong to 3.3V power domain.
2. The maximum voltage value of V<sub>IL</sub> for PERST# signal and W\_DISABLE# signal is 0.5V.

### 5.4. RF Characteristics

The following tables show the conducted RF output power and receiving sensitivity of EC200T Mini PCIe module.

**Table 21: Conducted RF Output Power of EC200T Mini PCIe**

Frequency Bands	Max.	Min.
EGSM900	33dBm±2dB	5dBm±5dB
DCS1800	30dBm±2dB	0dBm±5dB
EGSM900 (8-PSK)	27dBm±3dB	5dBm±5dB
DCS1800 (8-PSK)	26dBm±3dB	0dBm±5dB
WCDMA B1/B5/B8	24dBm+1/-3dB	< -49dBm

LTE-FDD B1/B3/B5/B7/B8/B20/B28	23dBm±2dB	< -39dBm
LTE-TDD B34/B38/B39/B40/B41	23dBm±2dB	< -39dBm

**Table 22: Conducted RF Receiving Sensitivity of EC200T-CN Mini PCIe**

Frequency	Receiving Sensitivity (Typ.)			3GPP (SIMO)
	Primary	Diversity	SIMO	
EGSM900	-108dBm	NA	NA	-102dBm
DCS1800	-108dBm	NA	NA	-102dBm
WCDMA B1	-108dBm	NA	NA	-106.7dBm
WCDMA B5	-109dBm	NA	NA	-104.7dBm
WCDMA B8	-110dBm	NA	NA	-103.7dBm
LTE-FDD B1 (10MHz)	-97dBm	-98.5dBm	-100dBm	-96.3dBm
LTE-FDD B3 (10MHz)	-97.5dBm	-97.5dBm	-100.5dBm	-93.3dBm
LTE-FDD B5 (10MHz)	-98dBm	-99dBm	-101dBm	-94.3dBm
LTE-FDD B8 (10MHz)	-98dBm	-98dBm	-101dBm	-93.3dBm
LTE-TDD B34 (10MHz)	-96.5dBm	-97dBm	-100dBm	-96.3dBm
LTE-TDD B38 (10MHz)	-97dBm	-97.5dBm	-100dBm	-96.3dBm
LTE-TDD B39 (10MHz)	-97dBm	-97.5dBm	-100dBm	-96.3dBm
LTE-TDD B40 (10MHz)	-97dBm	-97dBm	-100dBm	-96.3dBm
LTE-TDD B41 (10MHz)	-96dBm	-97dBm	-99dBm	-94.3dBm

**Table 23: Conducted RF Receiving Sensitivity of EC200T-EU Mini PCIe**

Frequency Bands	Primary	Diversity	SIMO <sup>1)</sup>	3GPP (SIMO)
EGSM900	-108dBm	/	/	-102.0dBm
DCS1800	-108.6dBm	/	/	-102.0dbm

WCDMA B1	-108dBm	/	/	-106.7dBm
WCDMA B5 <sup>2)</sup>	TBD	NA	NA	-104.7dBm
WCDMA B8	-108dBm	/	/	-103.7dBm
LTE-FDD B1 (10MHz)	-98.2dBm	-98.0dBm	-101.8dBm	-96.3dBm
LTE-FDD B3 (10MHz)	-97.8dBm	-97.5dBm	-100.5dBm	-93.3dBm
LTE-FDD B5 <sup>2)</sup> (10MHz)	TBD	TBD	TBD	-94.3dBm
LTE-FDD B7 (10MHz)	-96.5dBm	-96.5dBm	-99.5dBm	-94.3dBm
LTE-FDD B8 (10MHz)	-98.2dBm	-98.5dBm	-101 dBm	-93.3dBm
LTE-FDD B20 <sup>2)</sup> (10MHz)	-97.7dBm	-97dBm	-100.9dBm	-93.3dBm
LTE-FDD B28 (10MHz)	-97.2dBm	-97dBm	-100dBm	-94.8dBm
LTE-TDD B38 (10MHz)	-97.7dBm	-97.0dBm	-101dBm	-96.3dBm
LTE-TDD B40 (10MHz)	-98dBm	-98.0dBm	-101dBm	-96.3dBm
LTE-TDD B41 (10MHz)	-97.5dBm	-97.0dBm	-100dBm	-94.3dBm

## NOTES

- <sup>1)</sup> SIMO is a smart antenna technology that uses a single antenna at the transmitter side and two antennas at the receiver side, which can improve receiving performance.
- <sup>2)</sup> B5 and B20 cannot be simultaneously supported on EC200T-EU Mini PCIe, and this is an either-or option.

## 5.5. ESD Characteristics

The following table shows the ESD characteristics of EC200T Mini PCIe.

**Table 24: ESD Characteristics of EC200T Mini PCIe**

Tested Interfaces	Contact Discharge	Air Discharge	Unit
Power Supply and GND	+/-5	+/-10	kV

---

Antenna Interfaces	+/-4	+/-8	kV
Others	+/-0.5	+/-1	kV

---



# 6 Dimensions and Packaging

## 6.1. General Description

This chapter mainly describes mechanical dimensions as well as packaging specification of EC200T Mini PCIe module. All dimensions are measured in millimeter (mm), and the dimensional tolerances are  $\pm 0.05\text{mm}$  unless otherwise specified.

## 6.2. Mechanical Dimensions of EC200T Mini PCIe

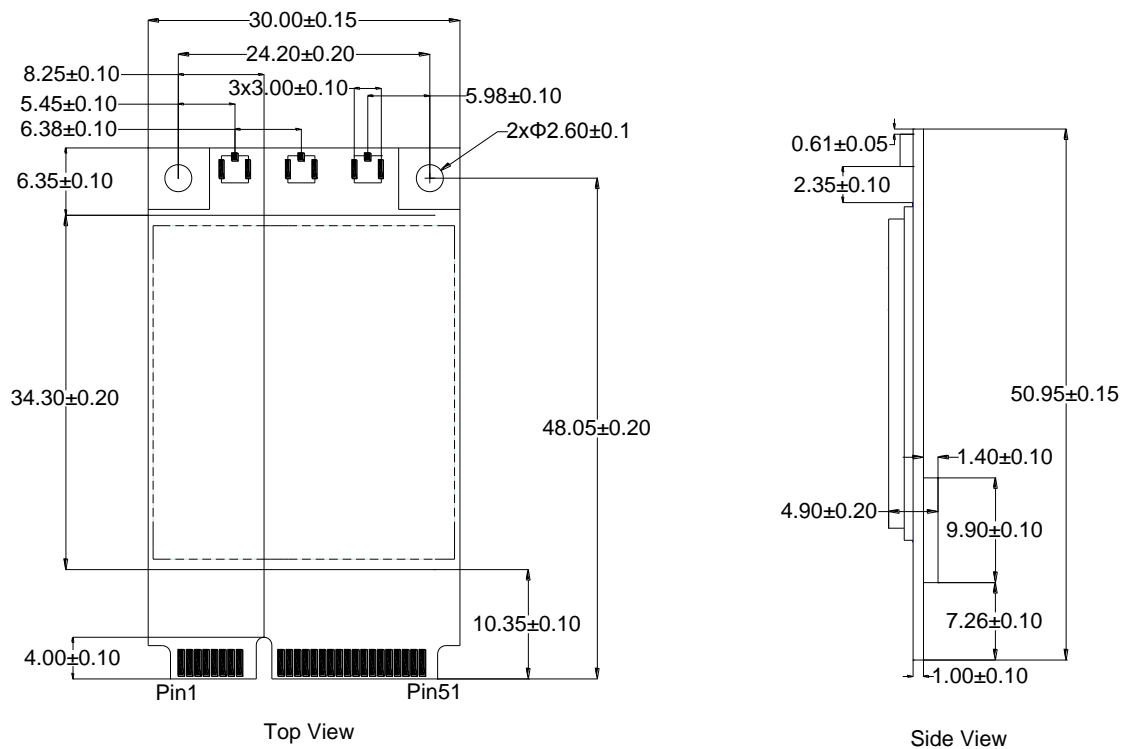


Figure 17: Mechanical Dimensions of EC200T Mini PCIe

## 6.3. Standard Dimensions of Mini PCI Express

The following figure shows the standard dimensions of Mini PCI Express. Please refer to **document [1]** for Detail A and Detail B.

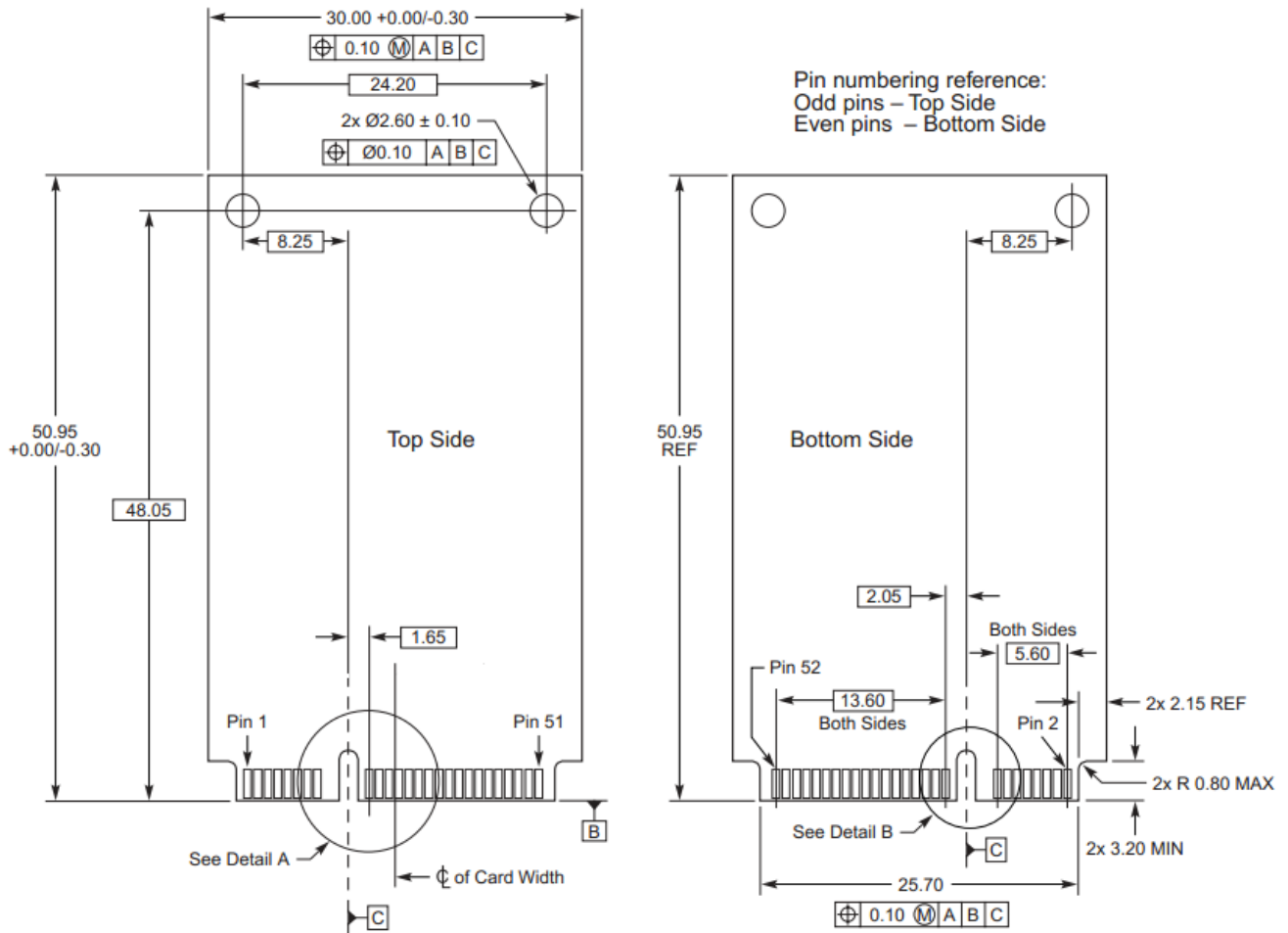
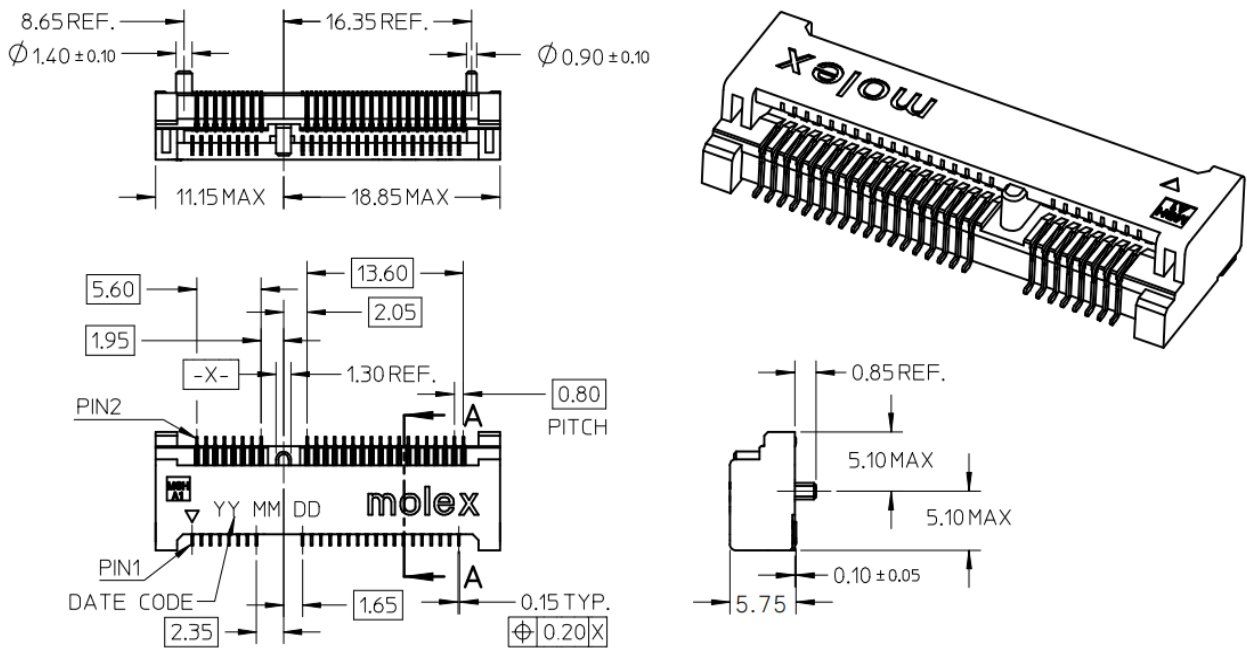


Figure 18: Standard Dimensions of Mini PCI Express

EC200T Mini PCIe adopts a standard Mini PCI Express connector which complies with the directives and standards listed in the **document [1]**. The following figure takes the Molex 679105700 as an example.



**Figure 19: Dimensions of the Mini PCIe Express Connector (Molex 679105700)**

## 6.4. Packaging Specifications

EC200T Mini PCIe modules are packaged in a tray. Each tray contains 10 modules. The smallest package of EC200T Mini PCIe contains 100 modules.

# 7 Appendix A References

**Table 25: Related Documents**

SN.	Document Name	Remark
[1]	PCI Express Mini Card Electromechanical Specification Revision 1.2	PCI Express Mini Card Electromechanical Specification
[2]	Quectel_EC200T_AT_Commands_Manual	EC200T AT commands manual

**Table 26: Terms and Abbreviations**

Abbreviation	Description
AMR	Adaptive Multi-rate
bps	Bits Per Second
CS	Coding Scheme
CTS	Clear to Send
FOTA	Firmware Upgrade Over-The-Air
DL	Down Link
DTE	Data Terminal Equipment
DTR	Data Terminal Ready
EFR	Enhanced Full Rate
EMI	Electro Magnetic Interference
ESD	Electrostatic Discharge
ESR	Equivalent Series Resistance
FDD	Frequency Division Duplexing

---

FR	Full Rate
GMSK	Gaussian Minimum Shift Keying
GSM	Global System for Mobile Communications
HR	Half Rate
HSPA	High Speed Packet Access
HSUPA	High Speed Uplink Packet Access
kbps	Kilo Bits Per Second
LED	Light Emitting Diode
LTE	Long-Term Evolution
Mbps	Million Bits Per Second
MCU	Micro Control Unit
ME	Mobile Equipment
MIMO	Multiple-Input Multiple-Output
MMS	Multimedia Messaging Service
MO	Mobile Originated
MT	Mobile Terminated
PCM	Pulse Code Modulation
PDA	Personal Digital Assistant
PDU	Protocol Data Unit
POS	Point of Sale
PPP	Point-to-Point Protocol
RF	Radio Frequency
RTS	Ready To Send
Rx	Receive
SIMO	Single Input Multiple Output

---

---

SMS	Short Message Service
TX	Transmitting Direction
TVS	Transient Voltage Suppressor
UART	Universal Asynchronous Receiver & Transmitter
UL	Uplink
URC	Unsolicited Result Code
USB	Universal Serial Bus
(U)SIM	(Universal) Subscriber Identification Module
WCDMA	Wideband Code Division Multiple Access
WLAN	Wireless Local Area Networks

---