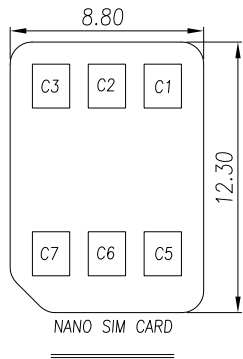
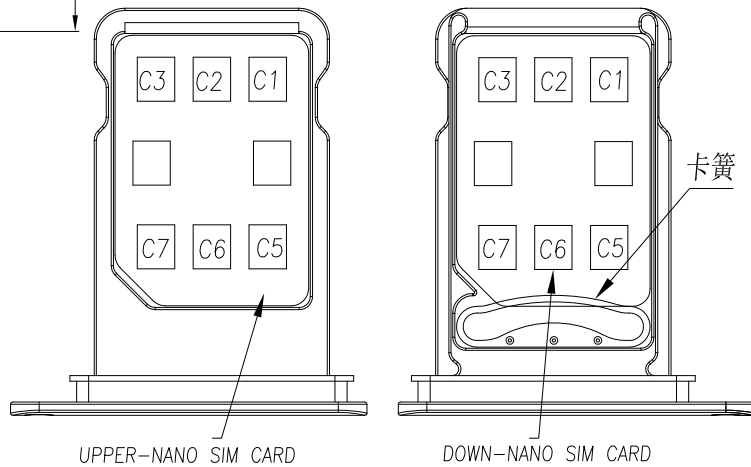
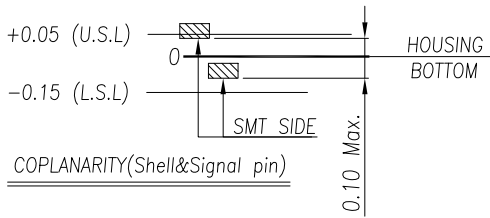
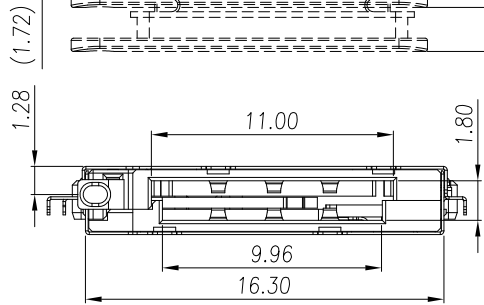
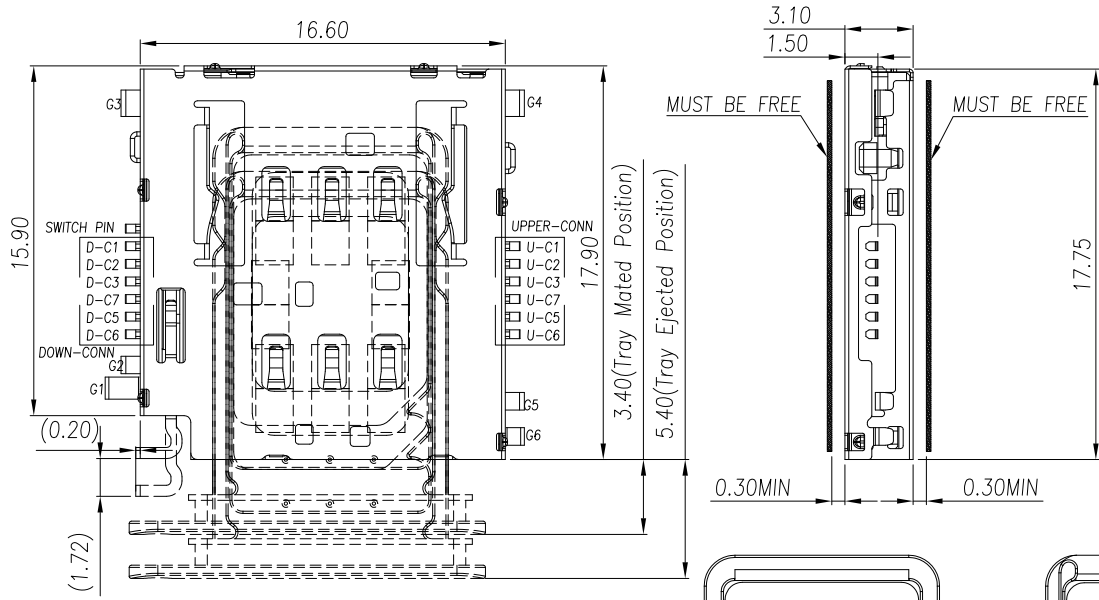


REV.	DESCRIPTION	DATE
1	PRELIMINARY	2018-11-10



NOTES:

- MATERIAL:
 - 1-1 HOUSING: THERMOPLASTIC, UL94 V-0, COLOR:BLACK
 - 1-2 SHELL: STAINLESS STEEL T=0.12mm
 - 1-3 CONTACT: COPPER ALLOY T=0.12mm
 - 1-4 CRANK: STAINLESS STEEL T=0.50mm
 - 1-5 ROD: STAINLESS STEEL T=0.50mm
- FINISH:
 - 2-1 CONTACT: GOLD FLASH ON CONTACT AREA
GOLD FLASH ON SOLD AREA,
50u" MIN NICKEL UNDERPLATING OVER ALL
 - 2-2 SHELL: GOLD FLASH ON SOLDER AREA
50u" MIN NICKEL UNDERPLATING OVER ALL
- PRODUCT SPECIFICATIONS:
 - 3-1 VOLTAGE RATING: 50V
 - 3-2 WITHSTANDING VOLTAGE: AC500V R.M.S
 - 3-3 CURRENT RATING: 0.5A
 - 3-4 INSULATION RESISTANCE: 1000M.OHM MIN AT DC 500V
 - 3-5 CONTACT RESISTANCE: 100 MILL.OHM MAX
 - 3-6 OPERATION TEMPERATURE: -20° TO +85°
 - 3-7 DURABILITY: 500 CYCLES

SIM Card terminal NO		Pin NO
U-C1	D-C1	vcc:pwr signal and GND
U-C2	D-C2	RST: Reset signal
U-C3	D-C3	CLK:Clcking signal
U-C5	D-C5	GND:PWR signal and GND
U-C6	D-C6	vpp:programming voltage
U-C7	D-C7	I/O:seral date input/output

TOLERANCE .0=±0.30 .00=±0.20 .000=±0.10 ANG.=±3°		DRAWER <i>DHM</i>		慈溪市卡连电子有限公司 CIXI CARDCONN ELECTRONIC CO., LTD
UNITS : mm		CHECK <i>JSURD FU</i>		
SCALE NONE		APP'D <i>JSURD FU</i>		NAME 3.10H(板上1.50H)双层推杆式SIM卡座
SIZE A4		PRODUCT SPEC. —		DRAW NO.
SHEET 1 OF 2		REV. 2		SCC151349719

